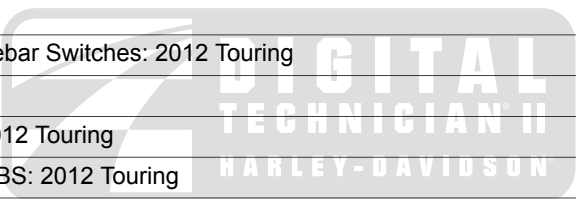


Wiring Diagram List

DIAGRAM	LOCATION
Battery Power: FLHR/C	Figure B-3
Battery Power: Except FLHR/C	Figure B-4
Ignition Power: FLHR/C	Figure B-5
Ignition Power: Except FLHR/C	Figure B-6
Accessory Power: FLHR/C	Figure B-7
Accessory Power: Except FLHR/C	Figure B-8
Sensor Grounds	Figure B-9
Right GND2: FLHR/C	Figure B-10
Right GND2: Except FLHR/C	Figure B-11
Left GND1: FLHR/C	Figure B-12
Left GND1: 2012 Touring (Except FLHR/C)	Figure B-13
Main Harness (1 OF 5): 2012 Touring (Except FLHR/C) without ABS	Figure B-14
Main Harness (2 OF 5): 2012 Touring (Except FLHR/C) with ABS	Figure B-15
Main Harness (3 OF 5): 2012 Touring (FLHR/C) without ABS	Figure B-16
Main Harness (4 OF 5): 2012 Touring (FLHR/C) with ABS	Figure B-17
Main Harness (5 OF 5): 2012 Touring	Figure B-18
Fairing Harness: 2012 Touring	Figure B-19
Indicators, Fairing Switches, Handlebar Switches: 2012 Touring	Figure B-20
Starting Circuit: 2012 Touring	Figure B-21
Rear Lighting, Charging System: 2012 Touring	Figure B-22
Front Lighting, Console Harness, ABS: 2012 Touring	Figure B-23
Security Circuit: 2012 Touring	Figure B-24
Security Circuit: 2012 Touring With Anti-Theft Tracking Module	Figure B-25
Ultra Radio RF Interconnect Circuit: 2012 Touring	Figure B-26
Classic Radio Circuit: 2012 Touring	Figure B-27
Ultra Radio Circuit: 2012 Touring	Figure B-28
2-Place Intercom and Headset Audio: 2012 Touring	Figure B-29
CAN and Module Audio Inputs to Ultra Radio: 2012 Touring	Figure B-30



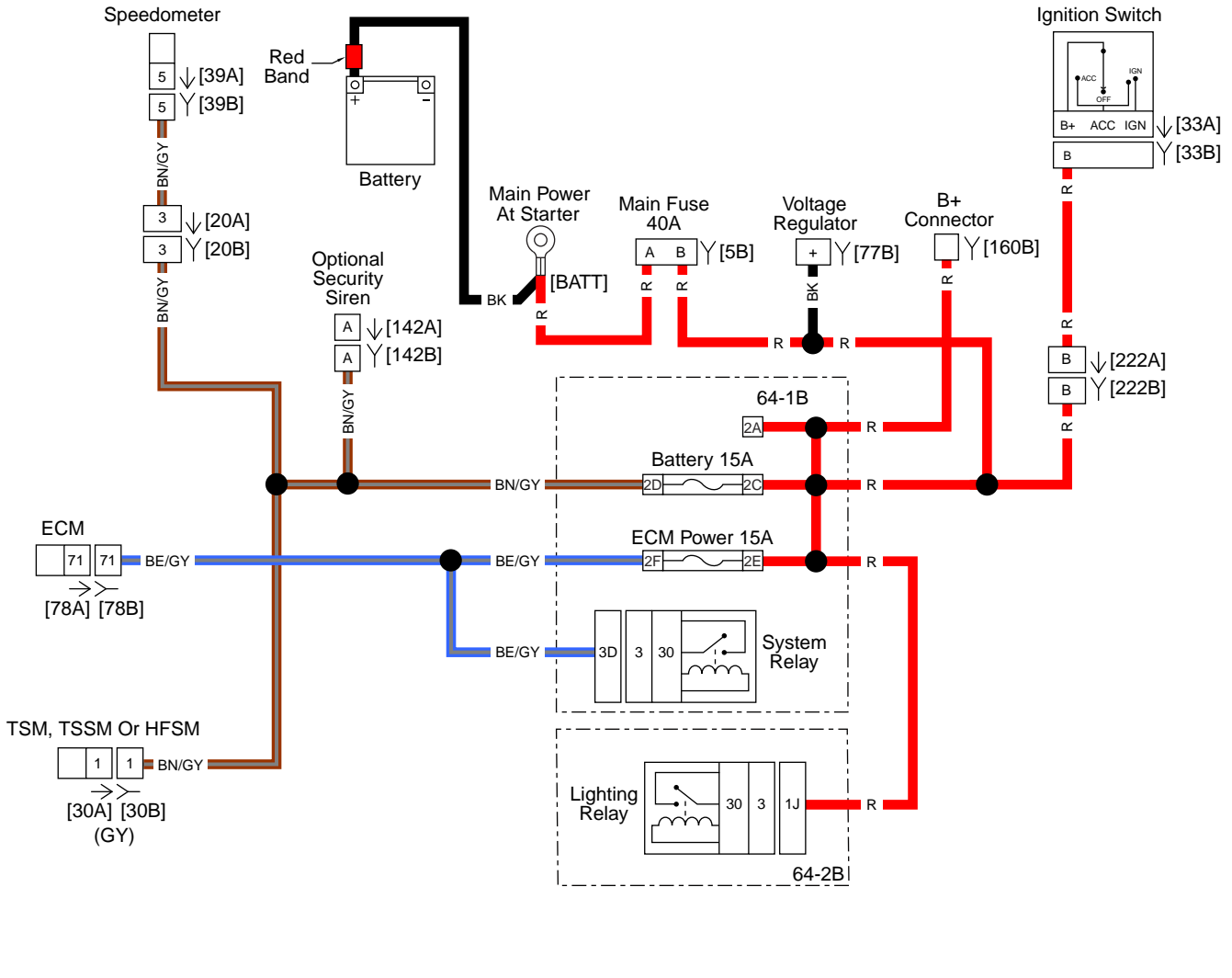


Figure B-3. Battery Power: FLHR/C

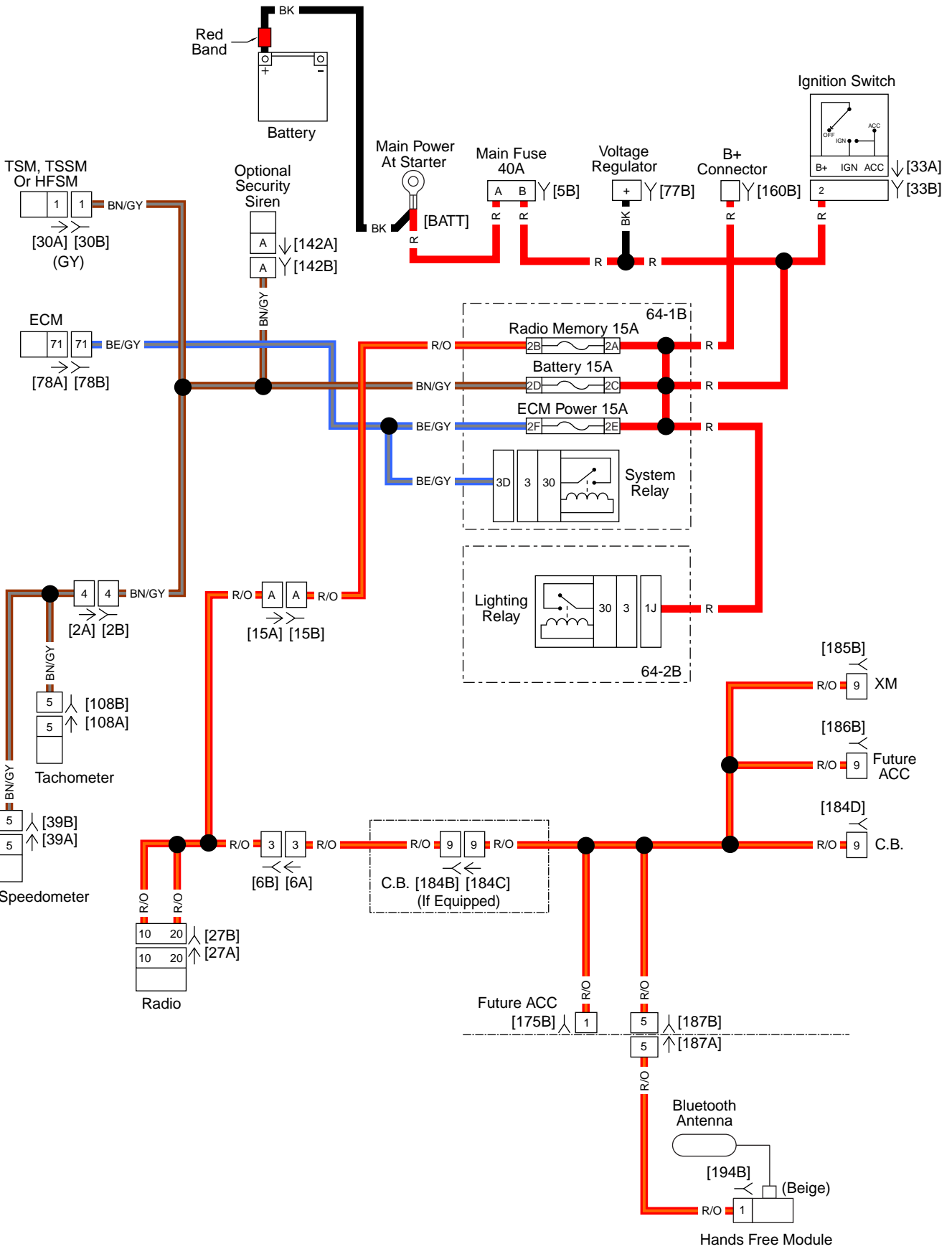


Figure B-4. Battery Power: Except FLHR/C

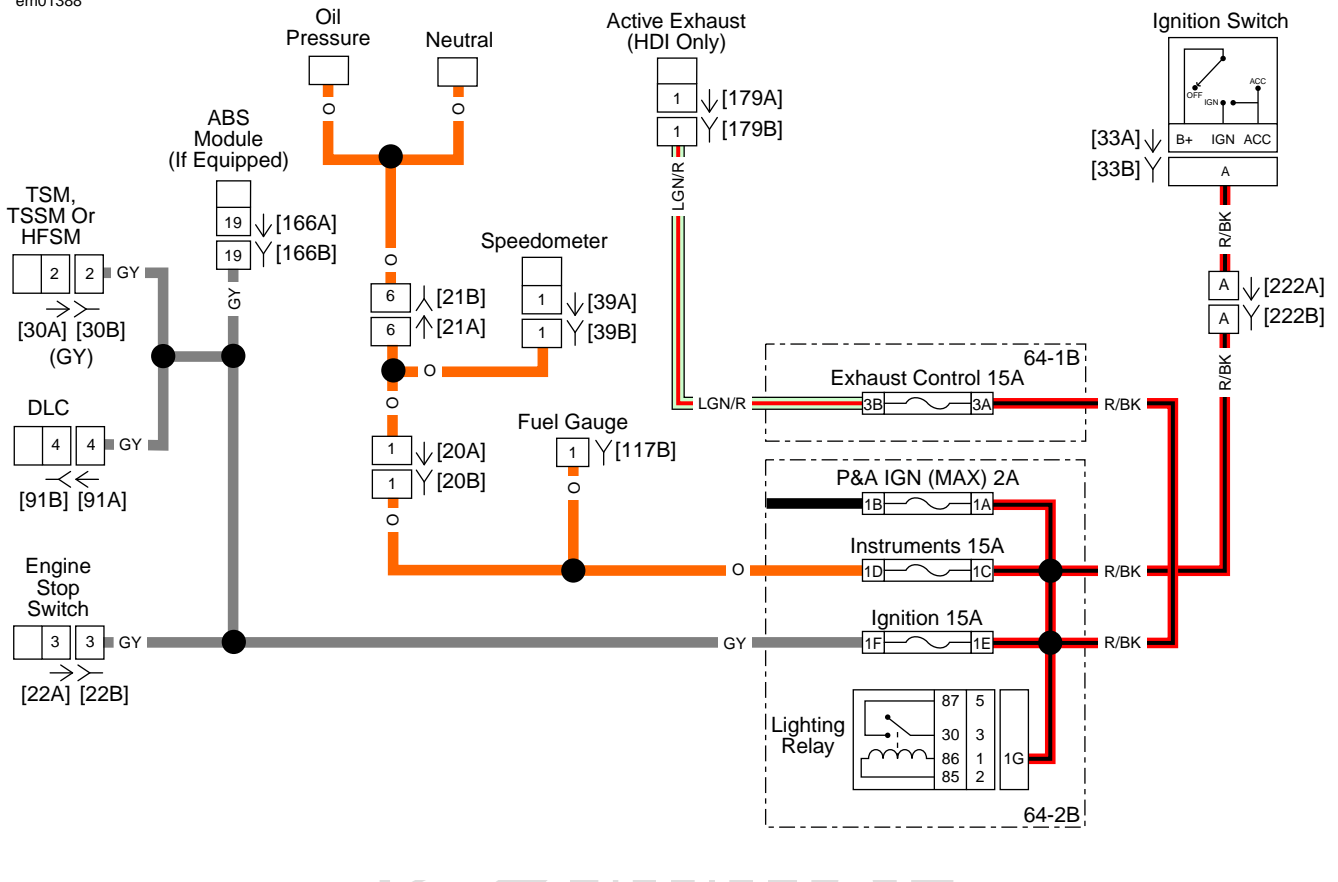


Figure B-5. Ignition Power: FLHR/C



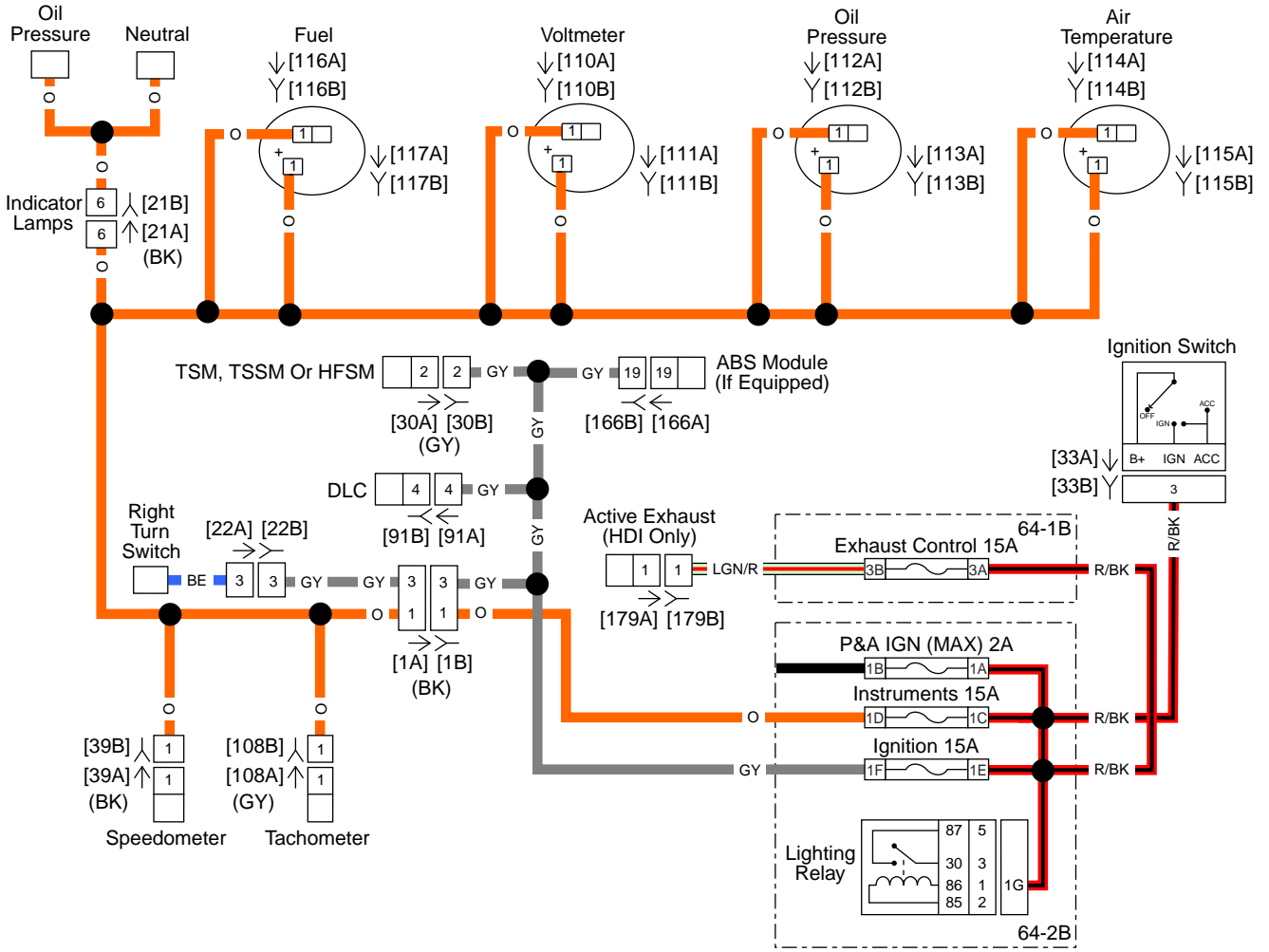


Figure B-6. Ignition Power: Except FLHR/C

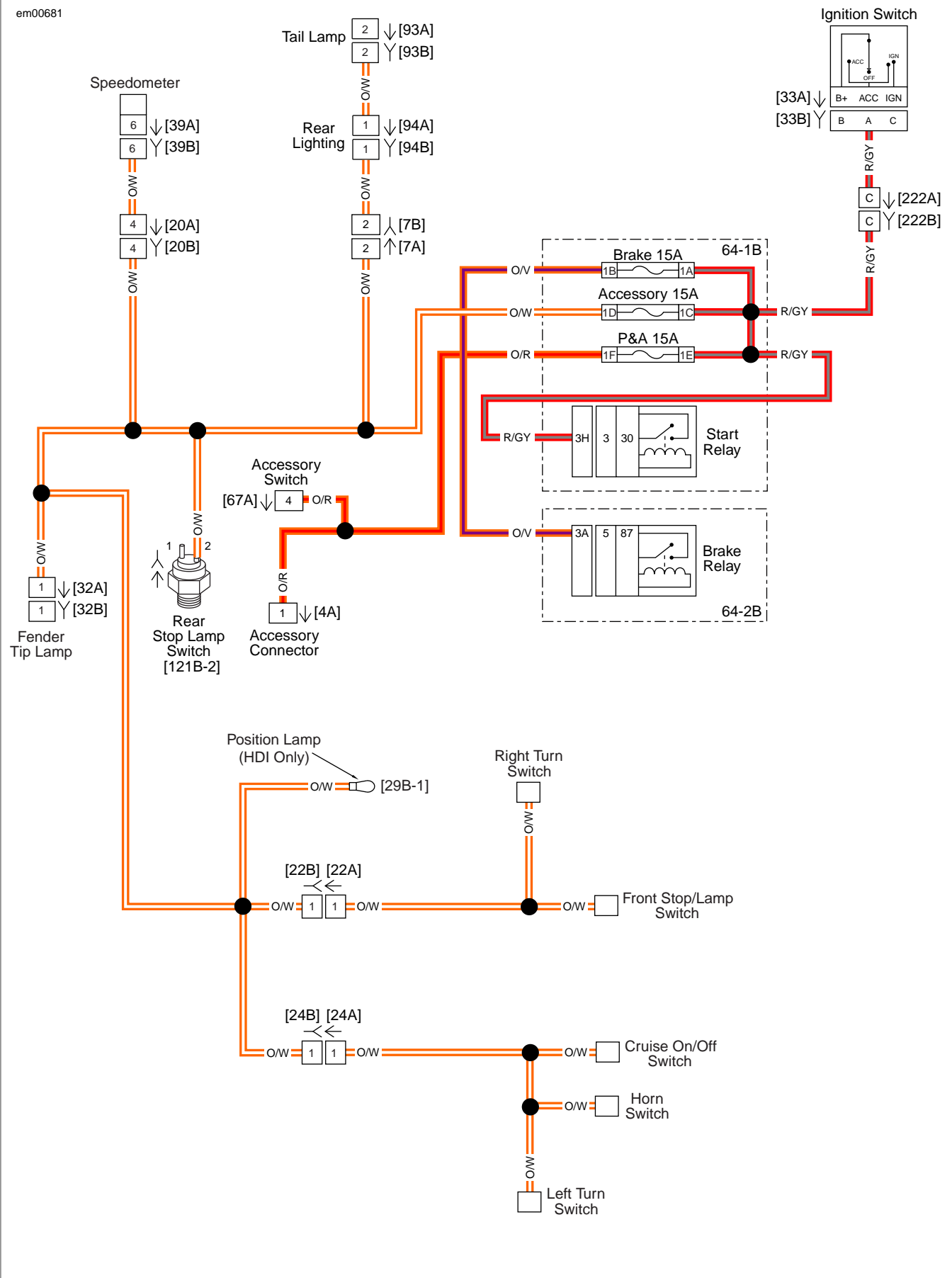


Figure B-7. Accessory Power: FLHR/C

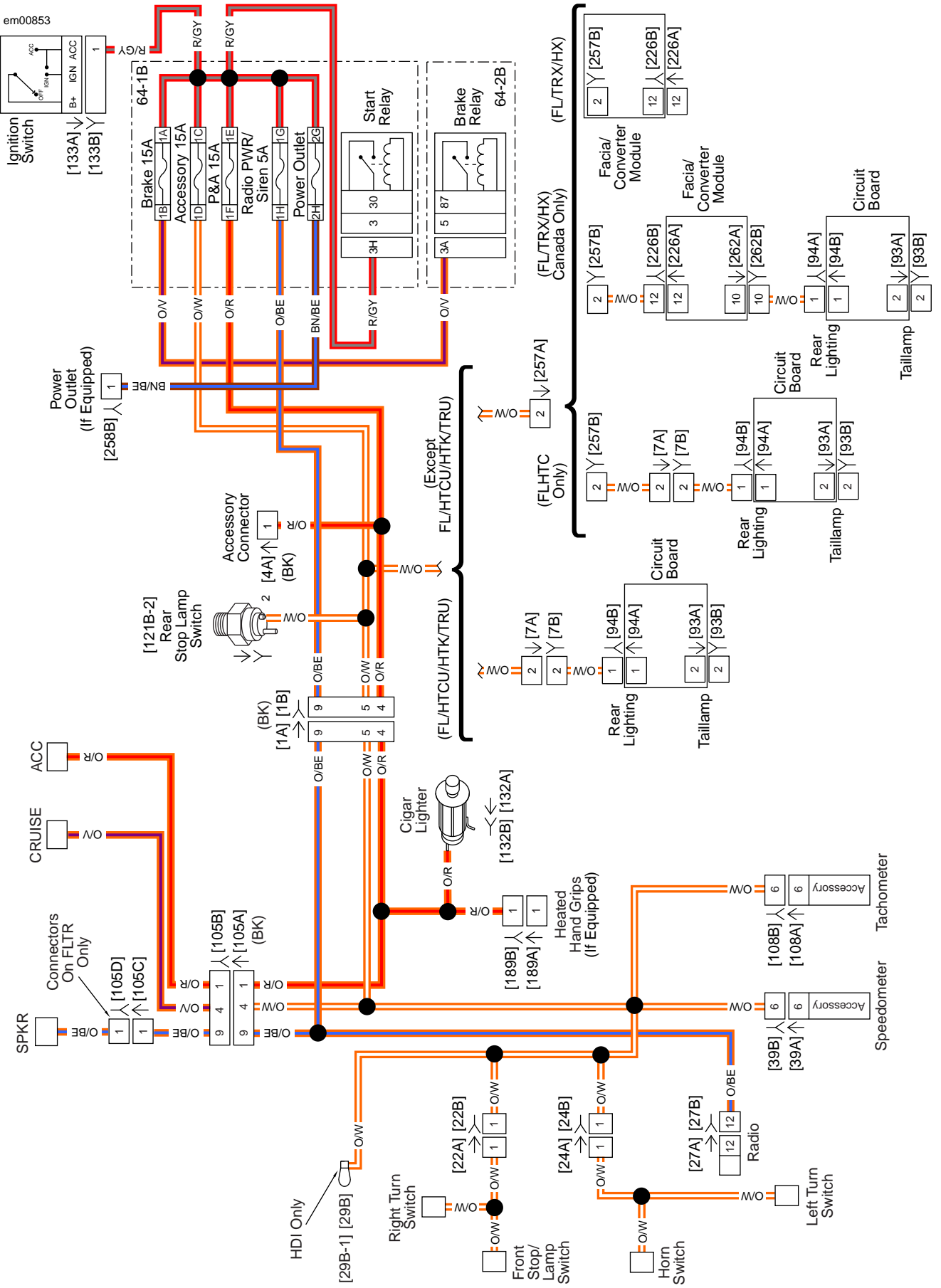


Figure B-8. Accessory Power: Except FLHR/C

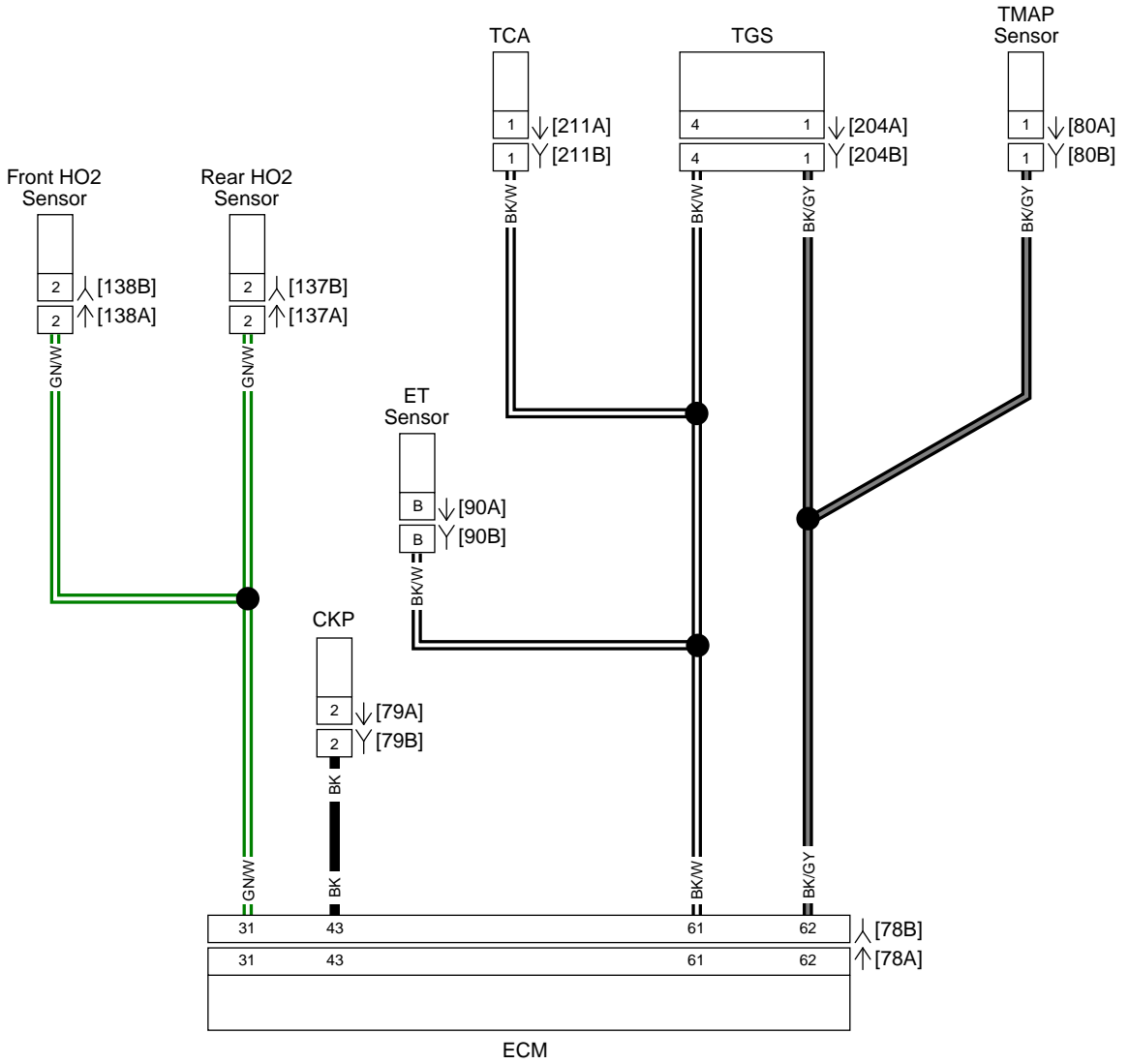


Figure B-9. Sensor Grounds

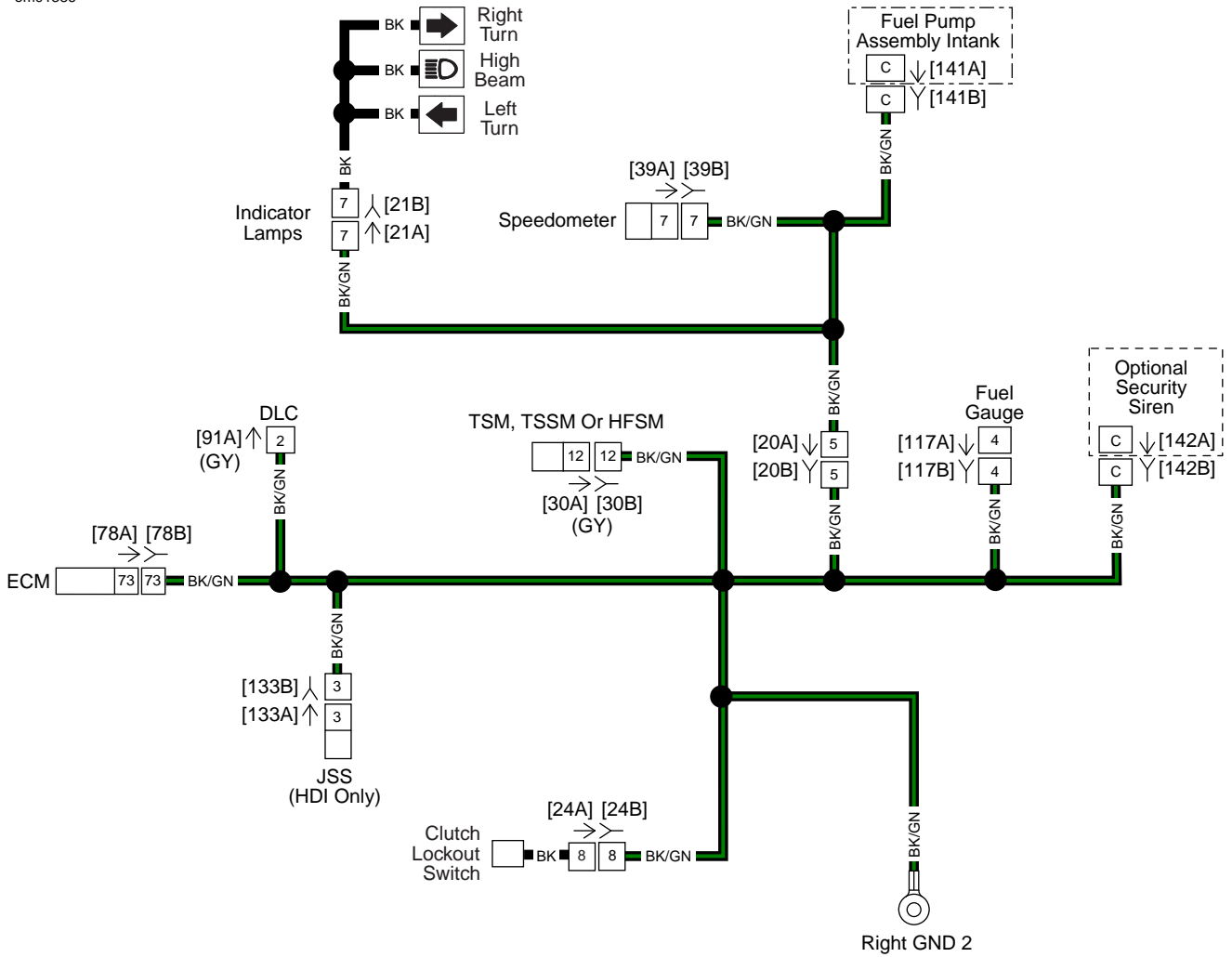


Figure B-10. Right GND2: FLHR/C

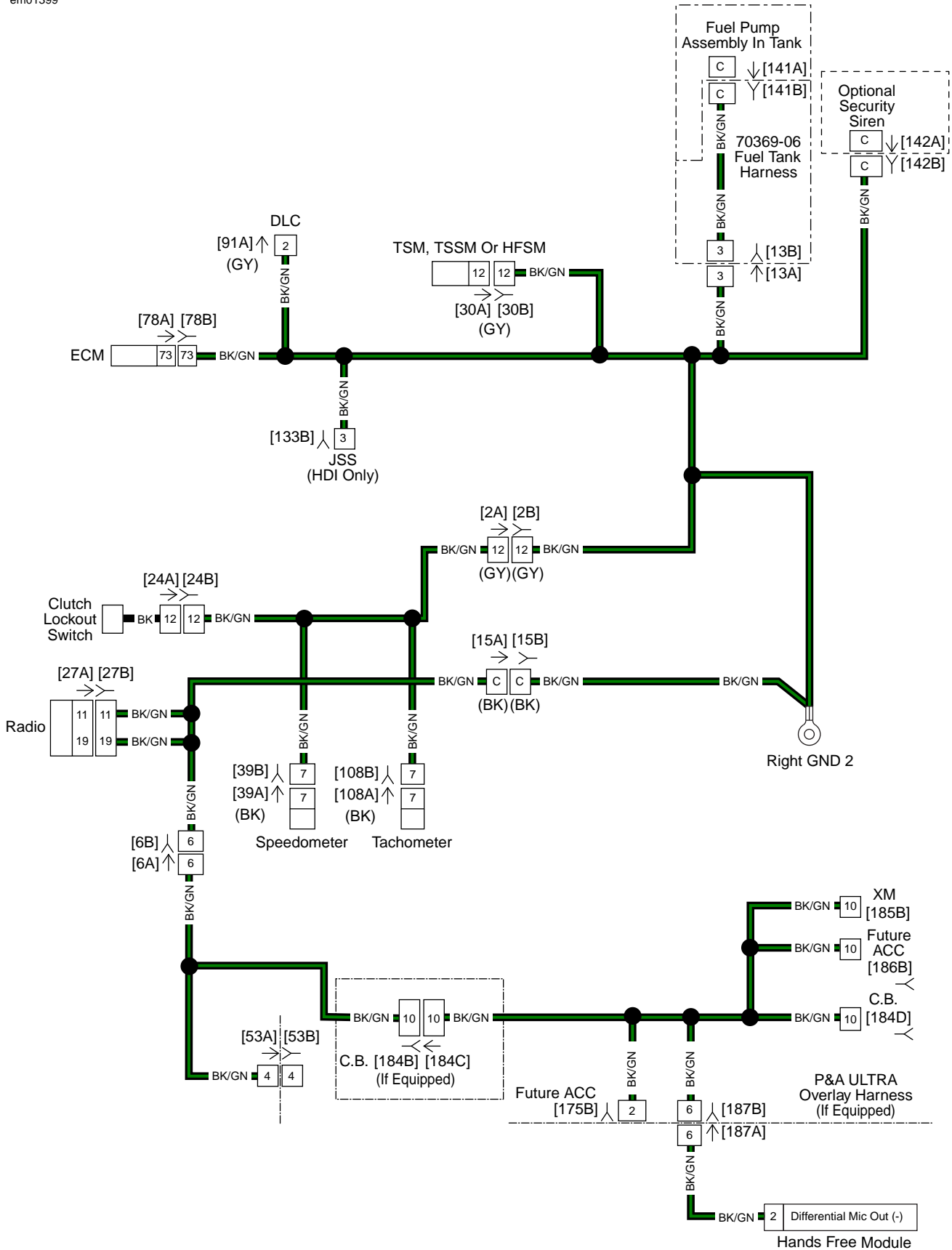


Figure B-11. Right GND2: Except FLHR/C

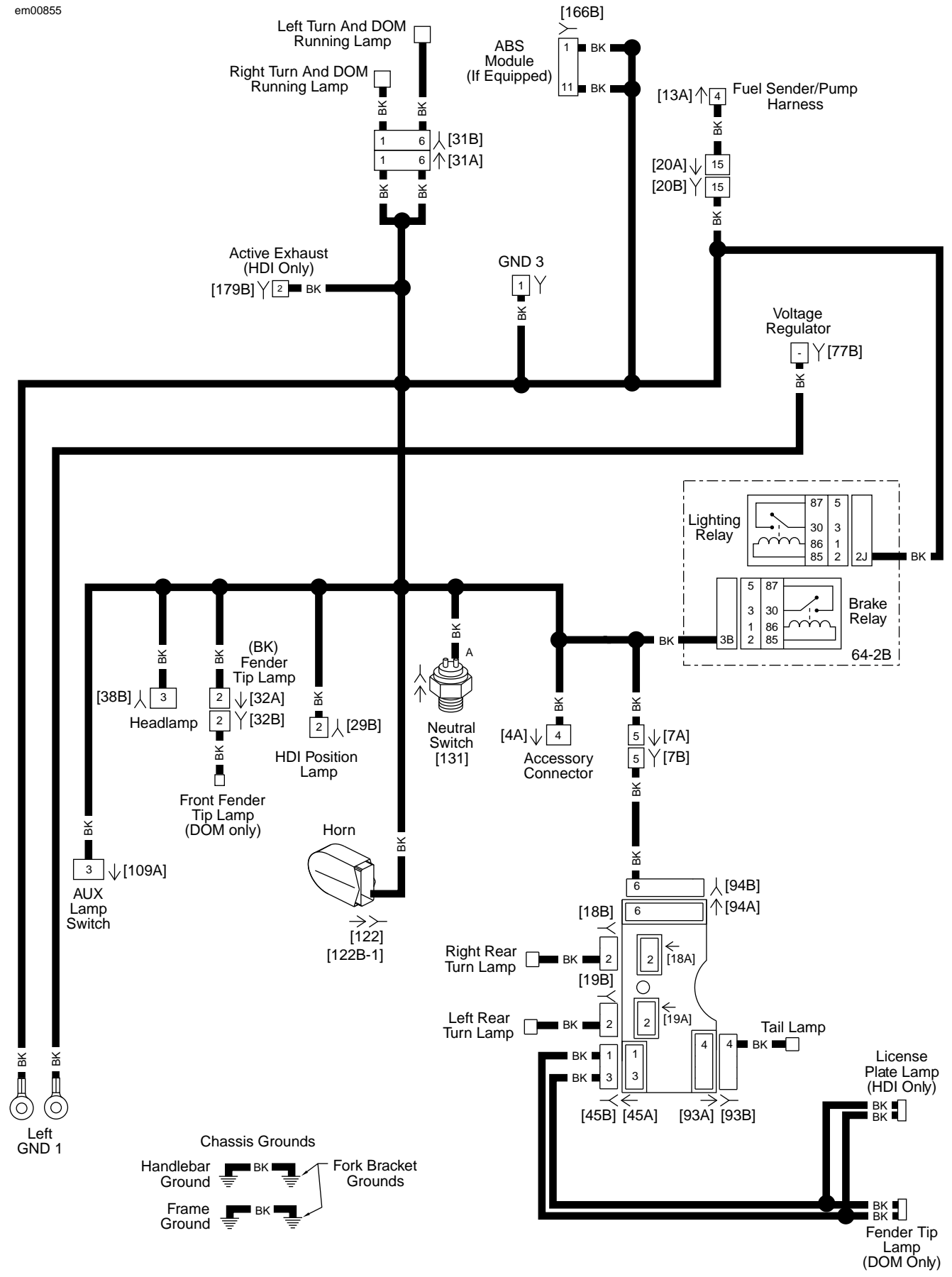


Figure B-12. Left GND1: FLHR/C

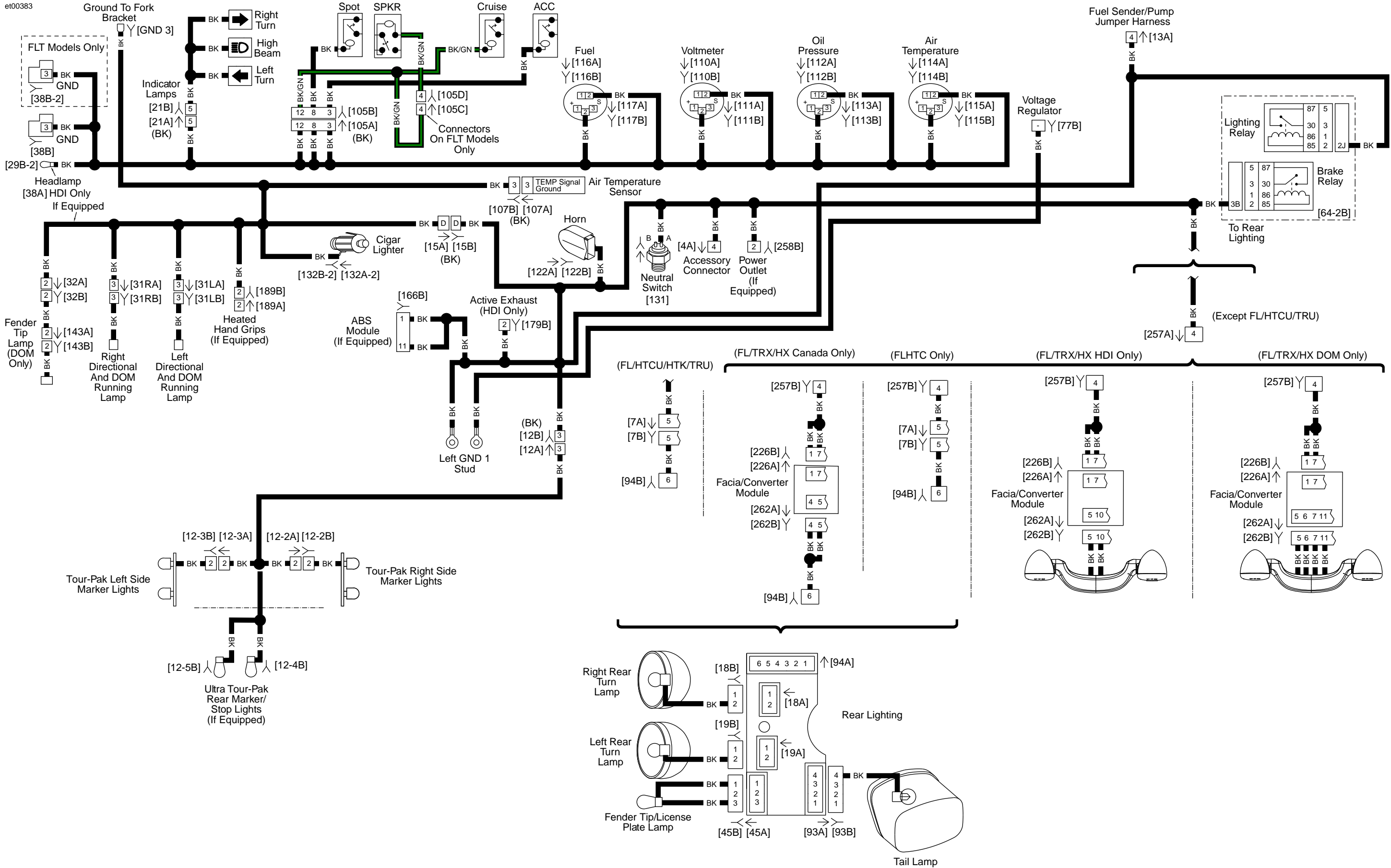


Figure B-13. Left GND1: 2012 Touring (Except FLHR/C)

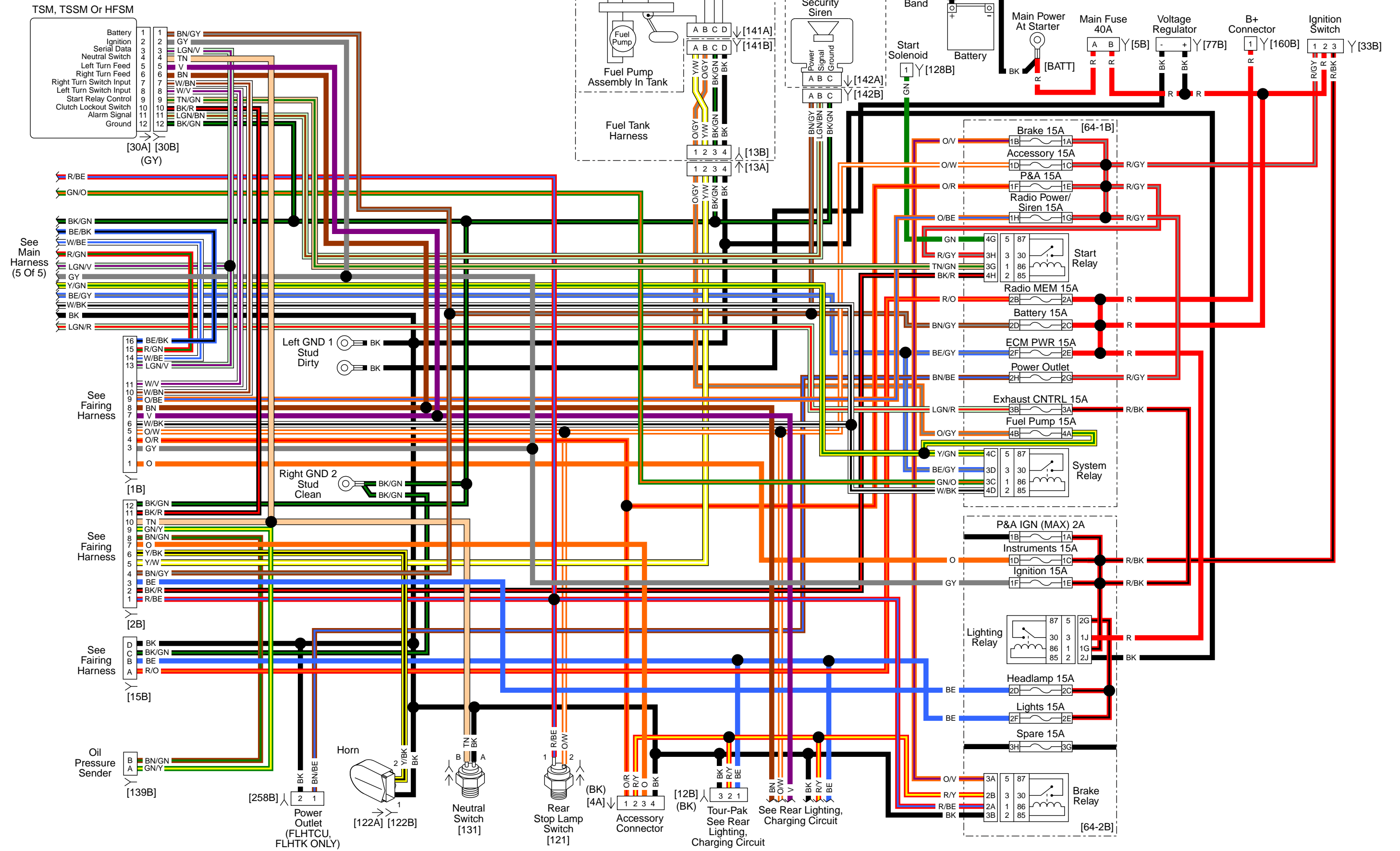


Figure B-14. Main Harness (1 OF 5): 2012 Touring (Except FLHR/C) without ABS

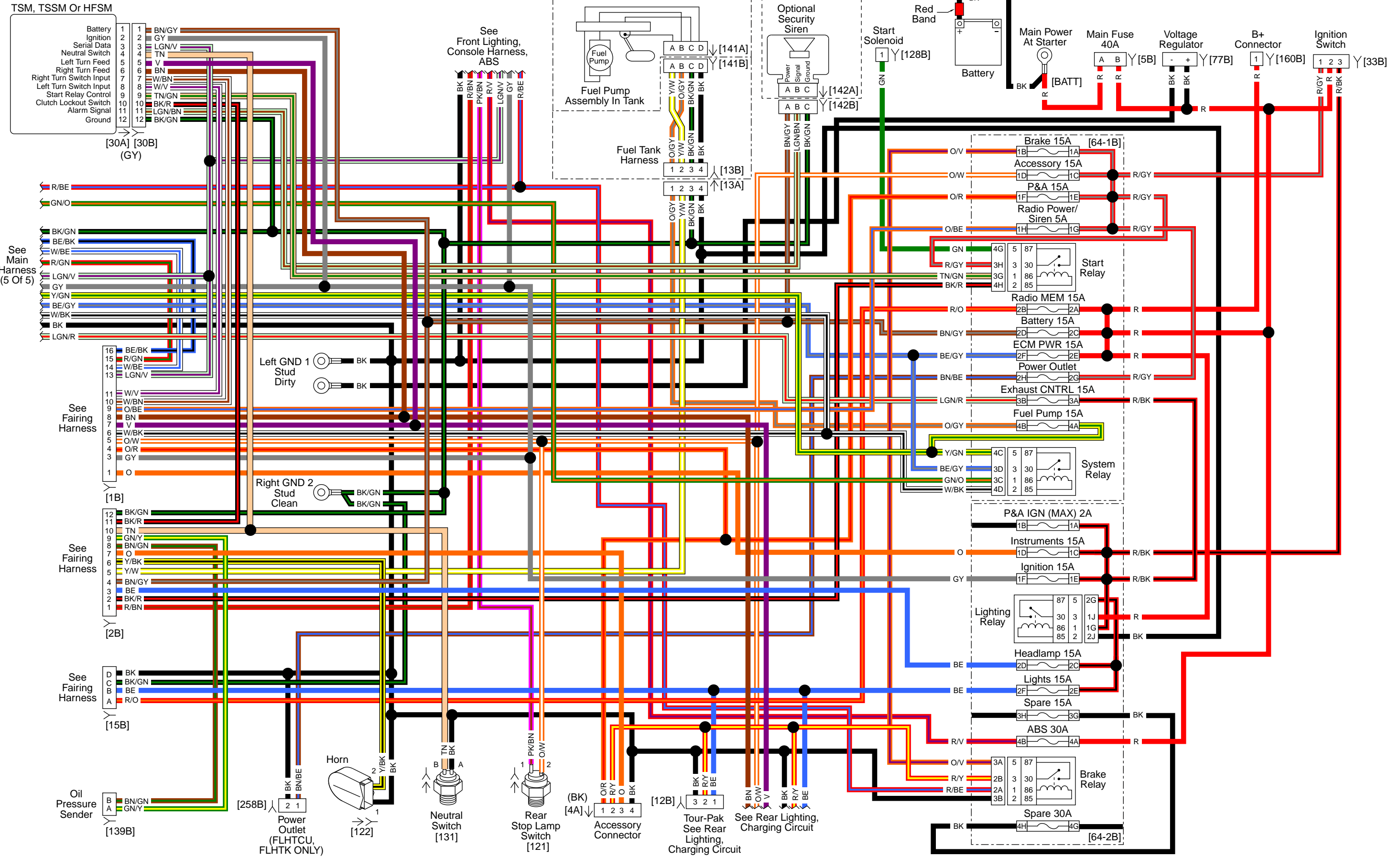


Figure B-15. Main Harness (2 OF 5): 2012 Touring (Except FLHR/C) with ABS

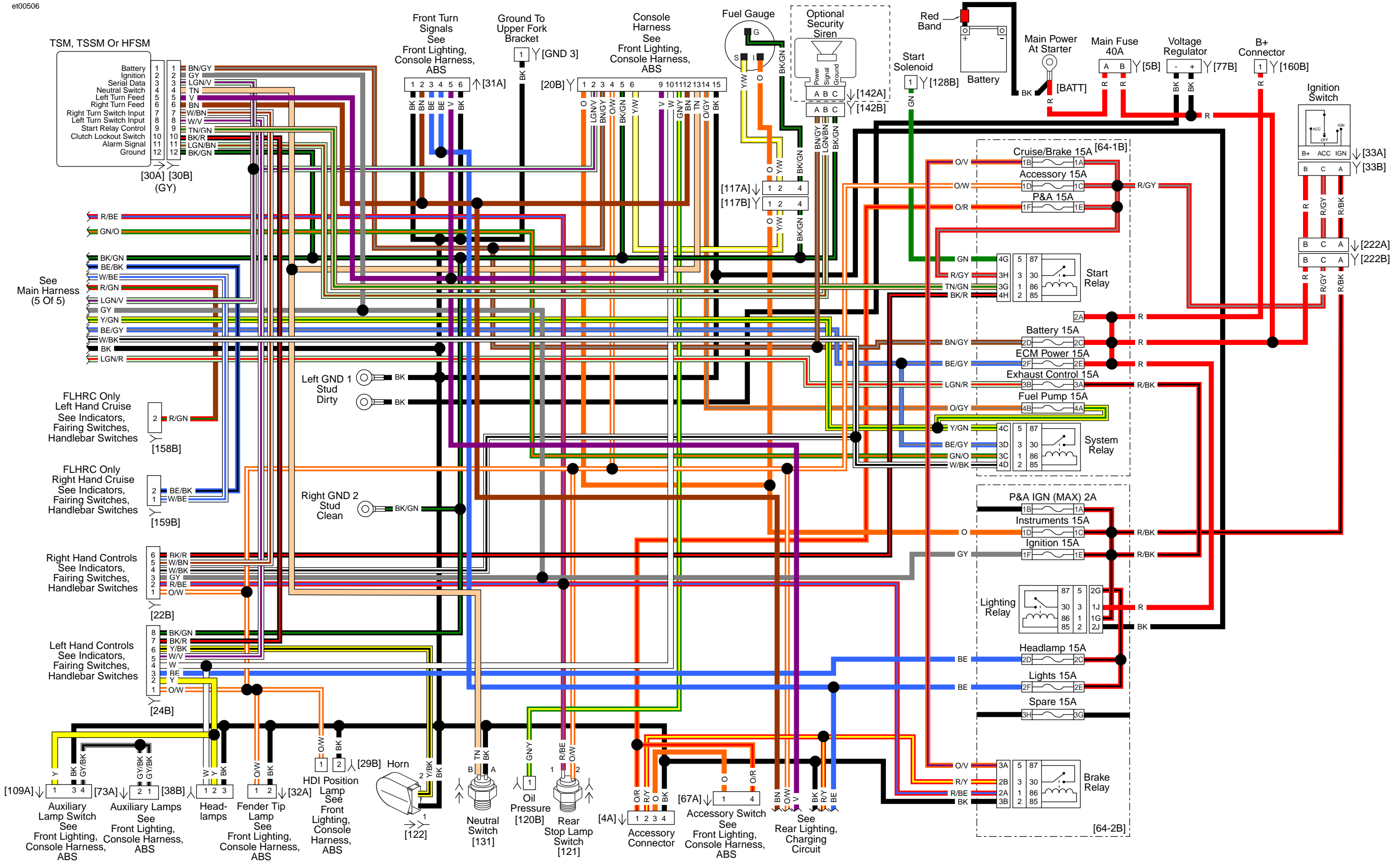


Figure B-16. Main Harness (3 OF 5): 2012 Touring (FLHR/C) without ABS

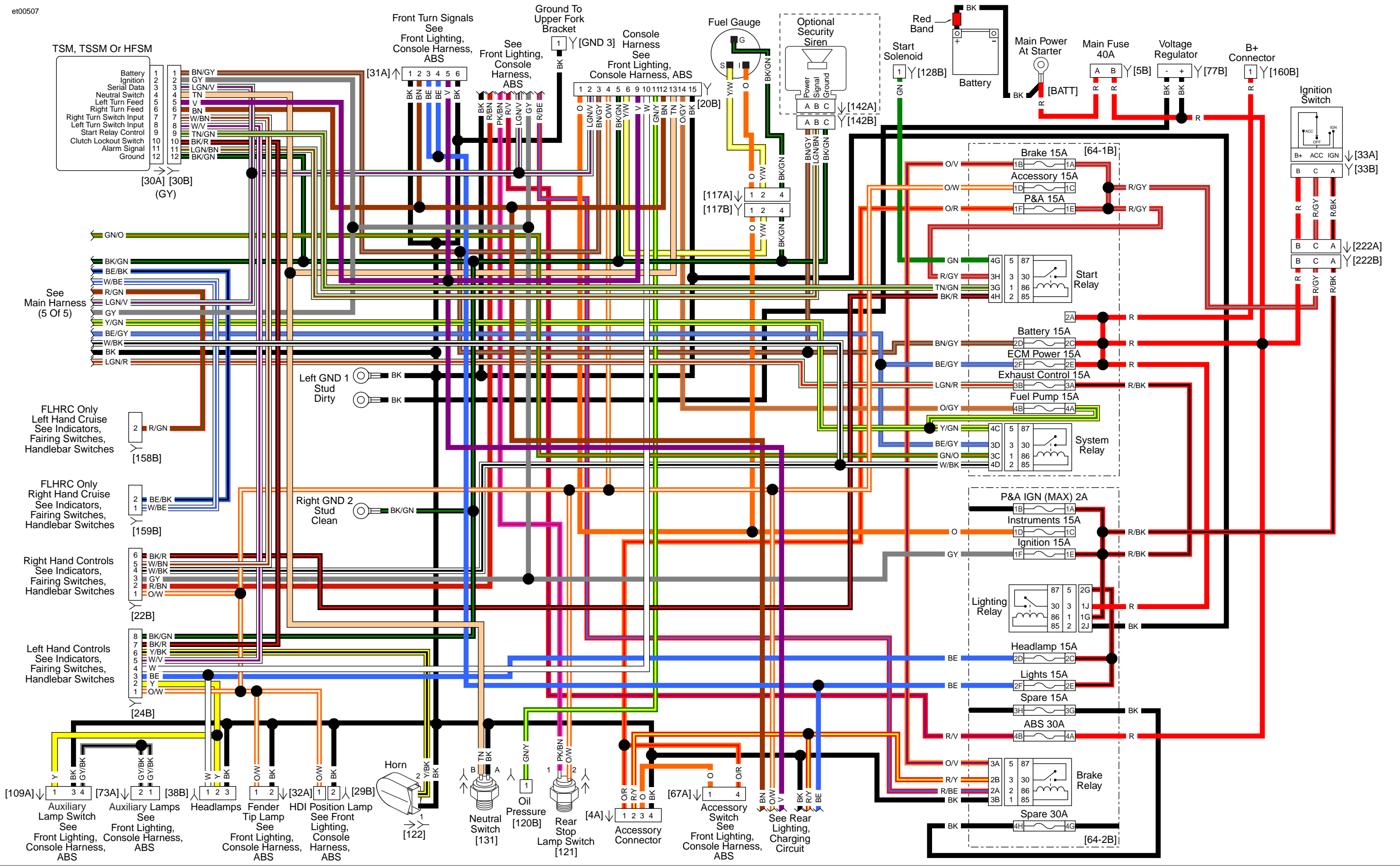
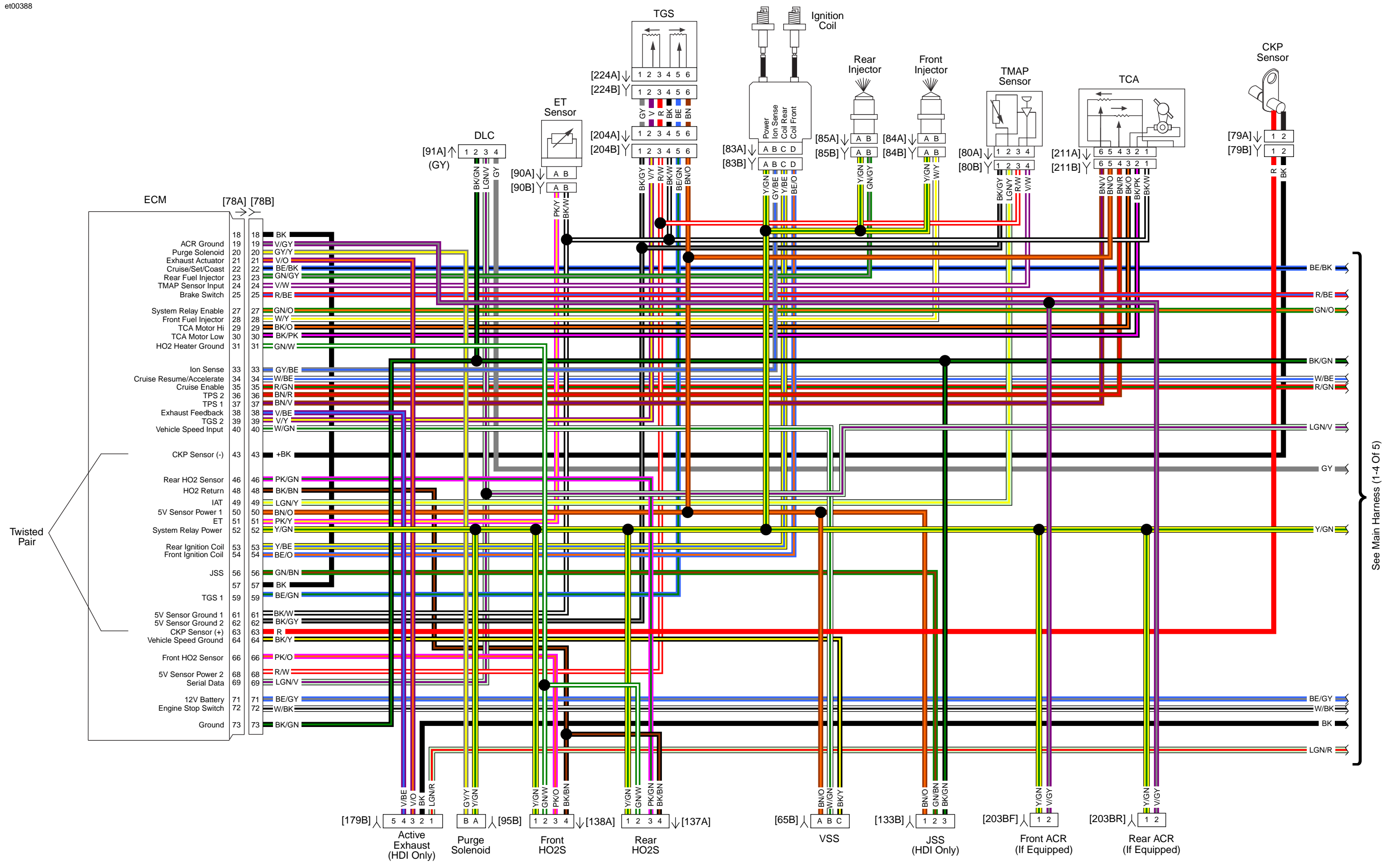


Figure B-17. Main Harness (4 OF 5): 2012 Touring (FLHR/C) with ABS



See Main Harness (1-4 Of 5)

Figure B-18. Main Harness (5 OF 5): 2012 Touring

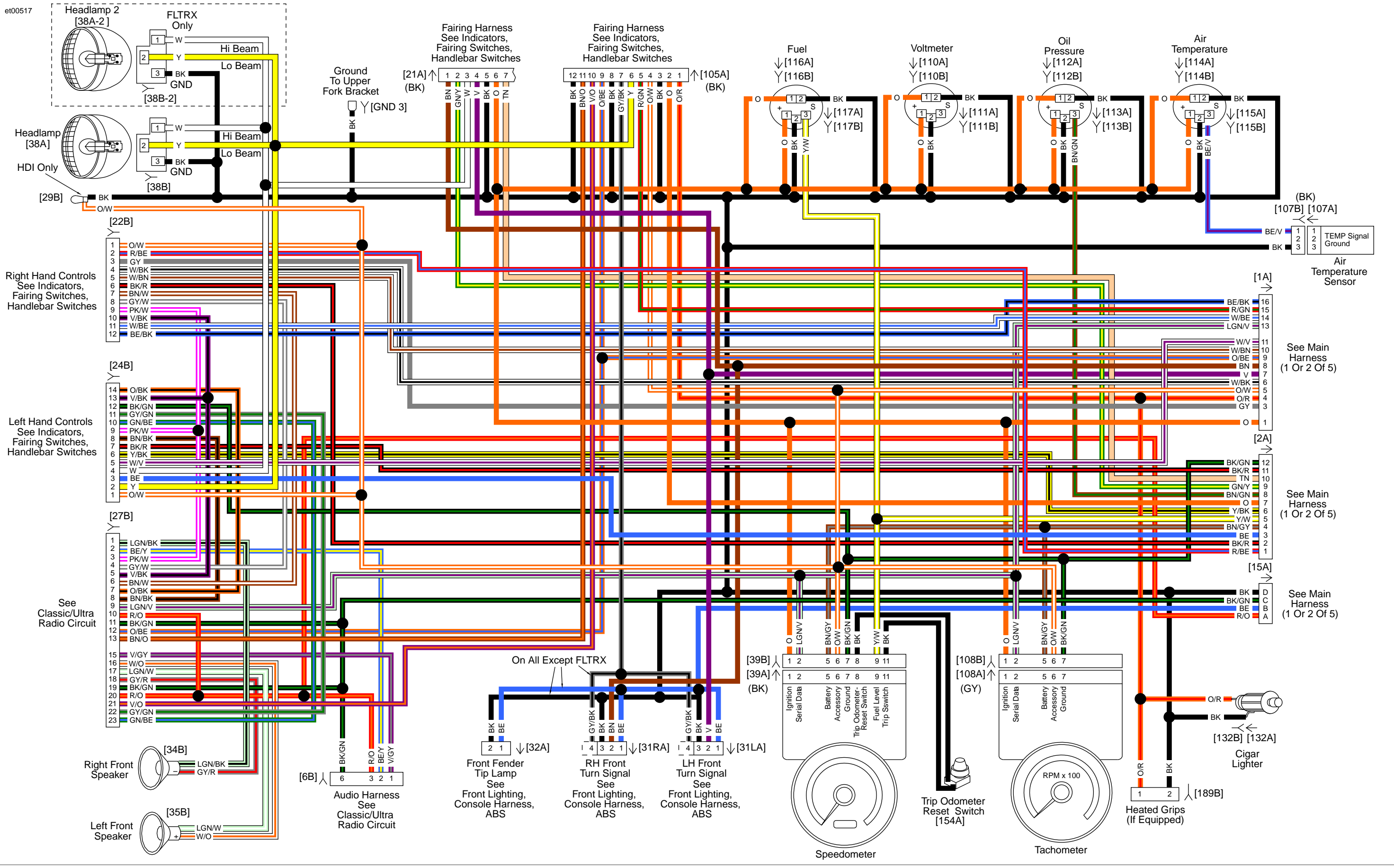


Figure B-19. Fairing Harness: 2012 Touring

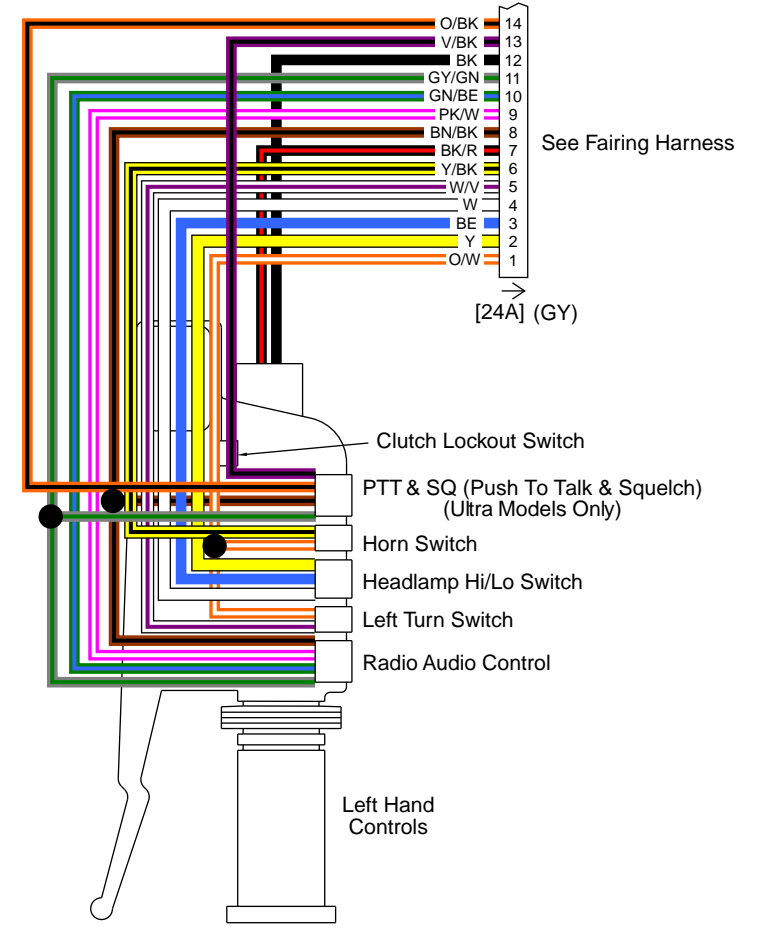
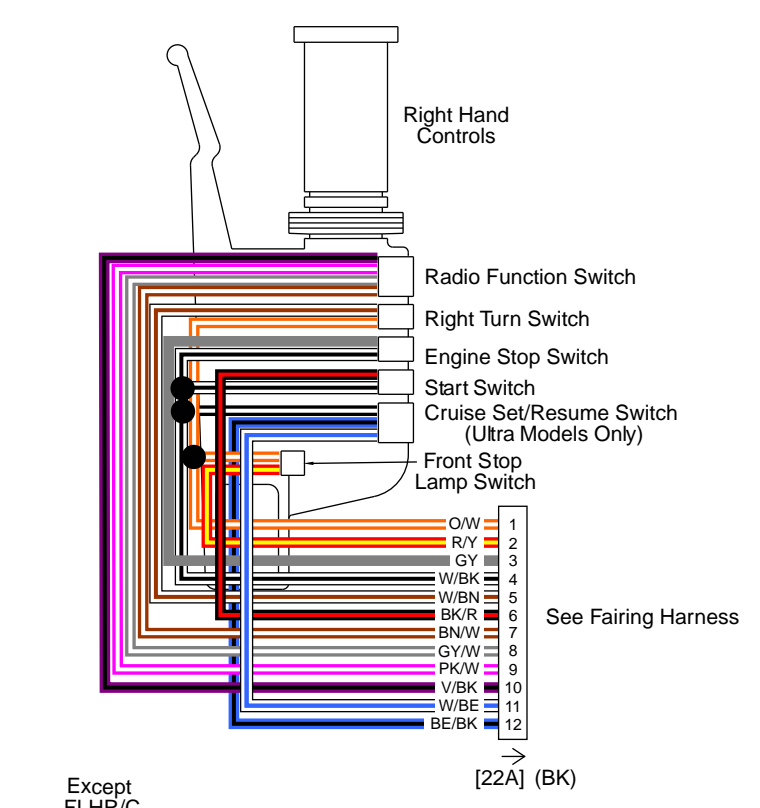
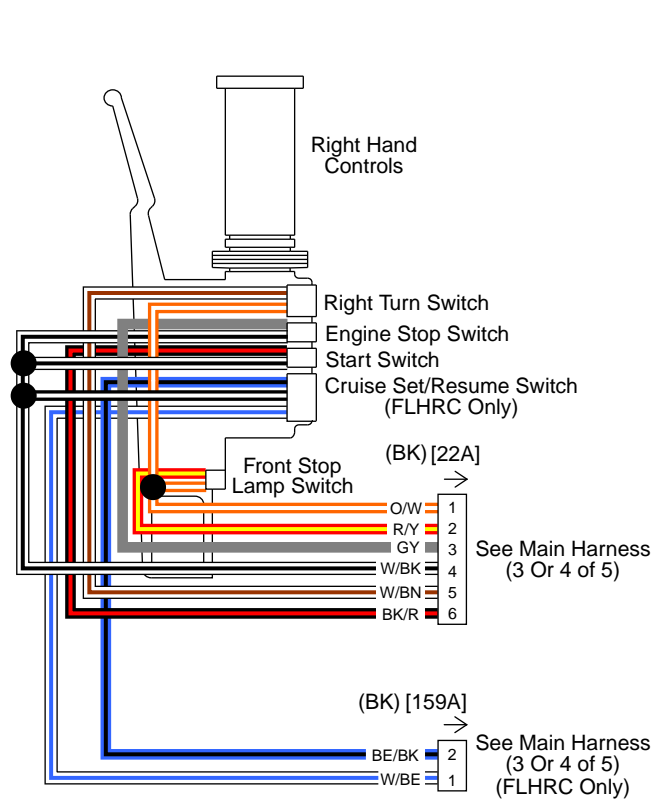
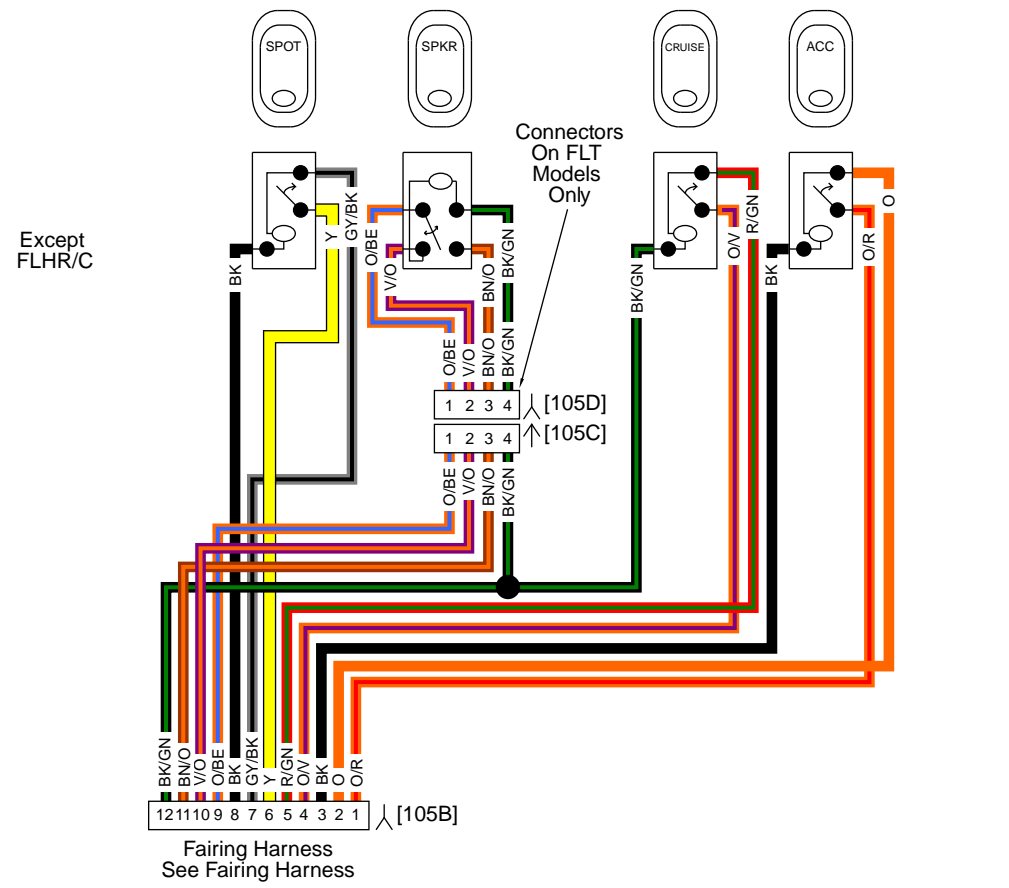


Figure B-20. Indicators, Fairing Switches, Handlebar Switches: 2012 Touring

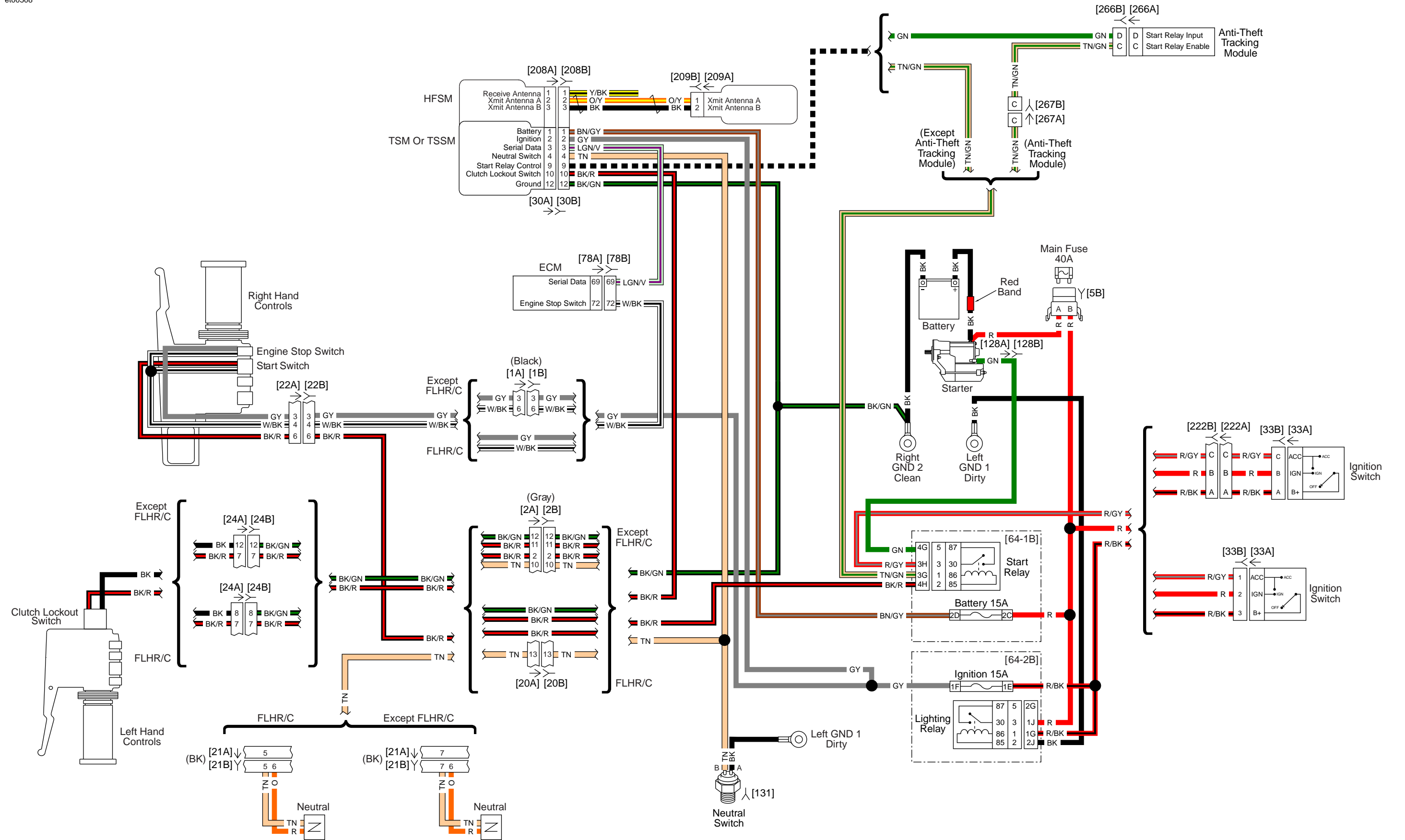


Figure B-21. Starting Circuit: 2012 Touring

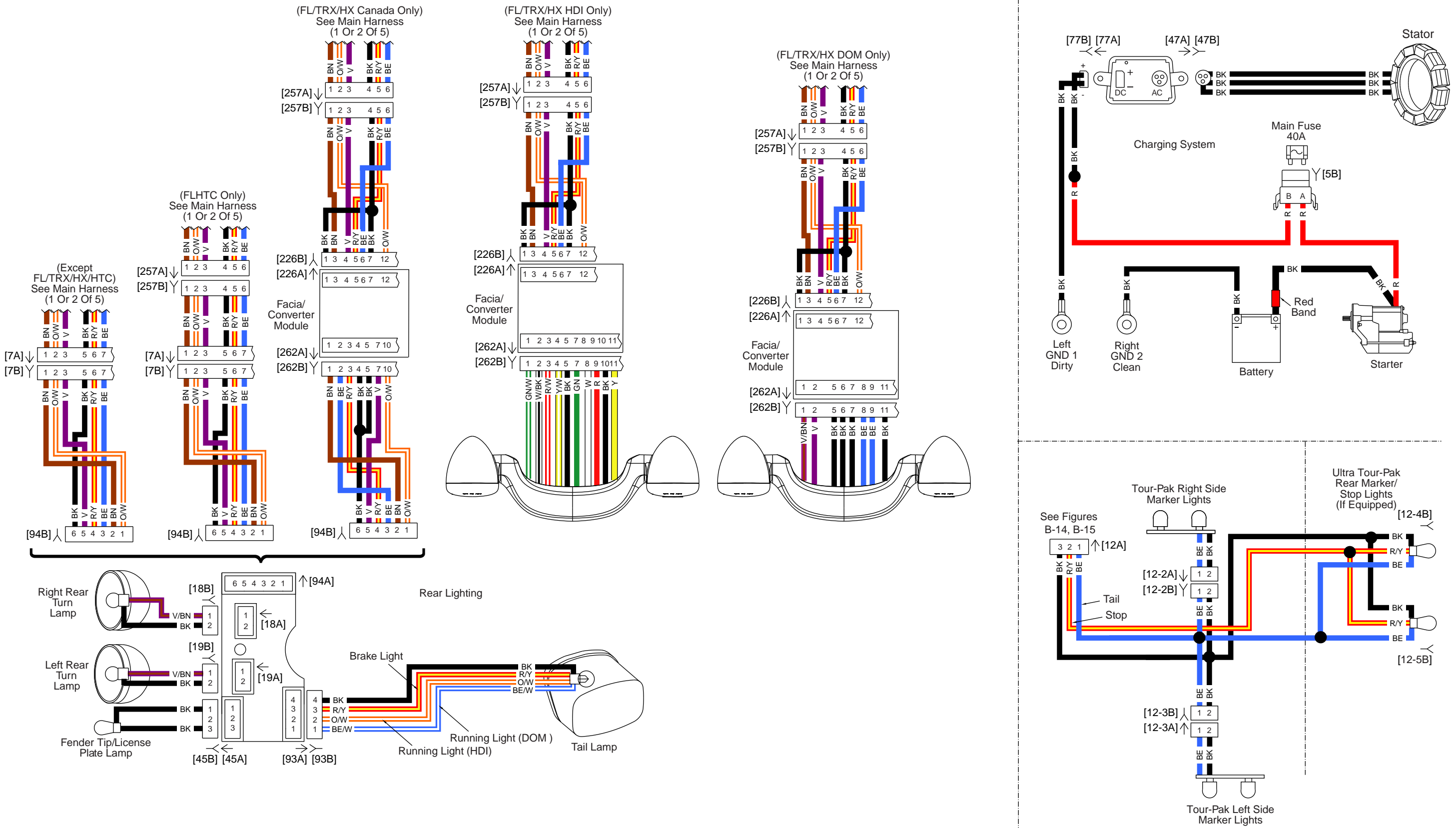


Figure B-22. Rear Lighting, Charging System: 2012 Touring

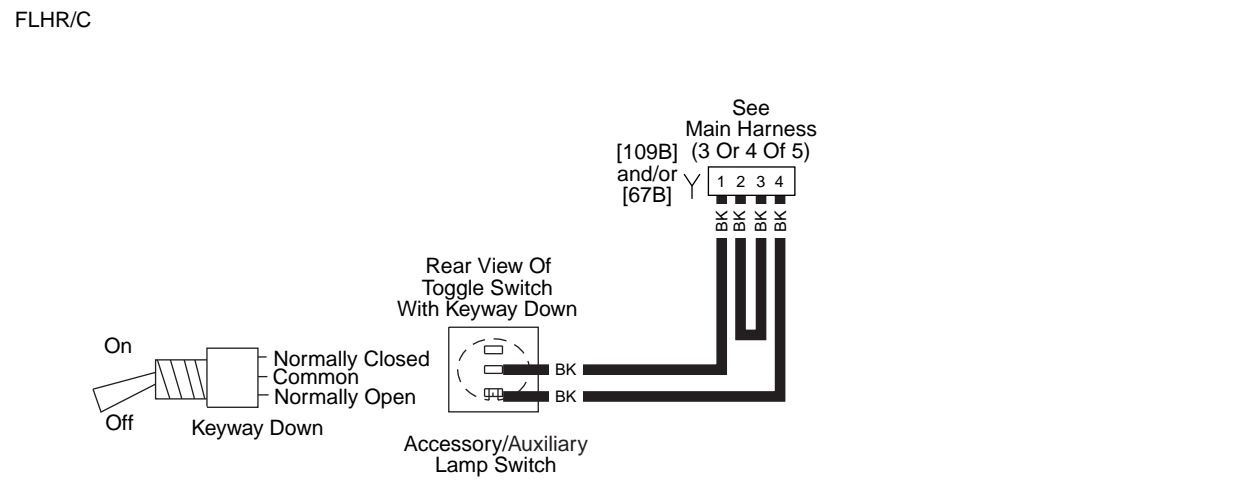
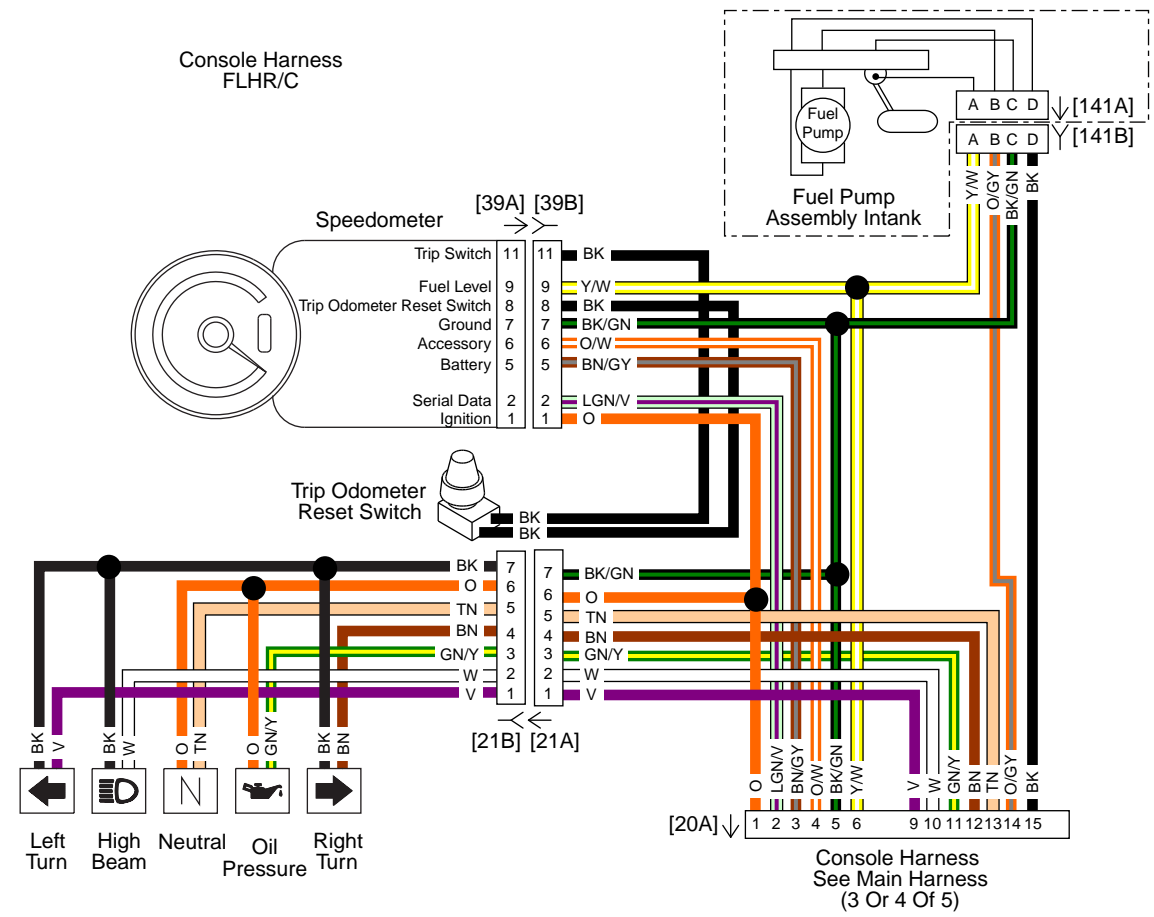
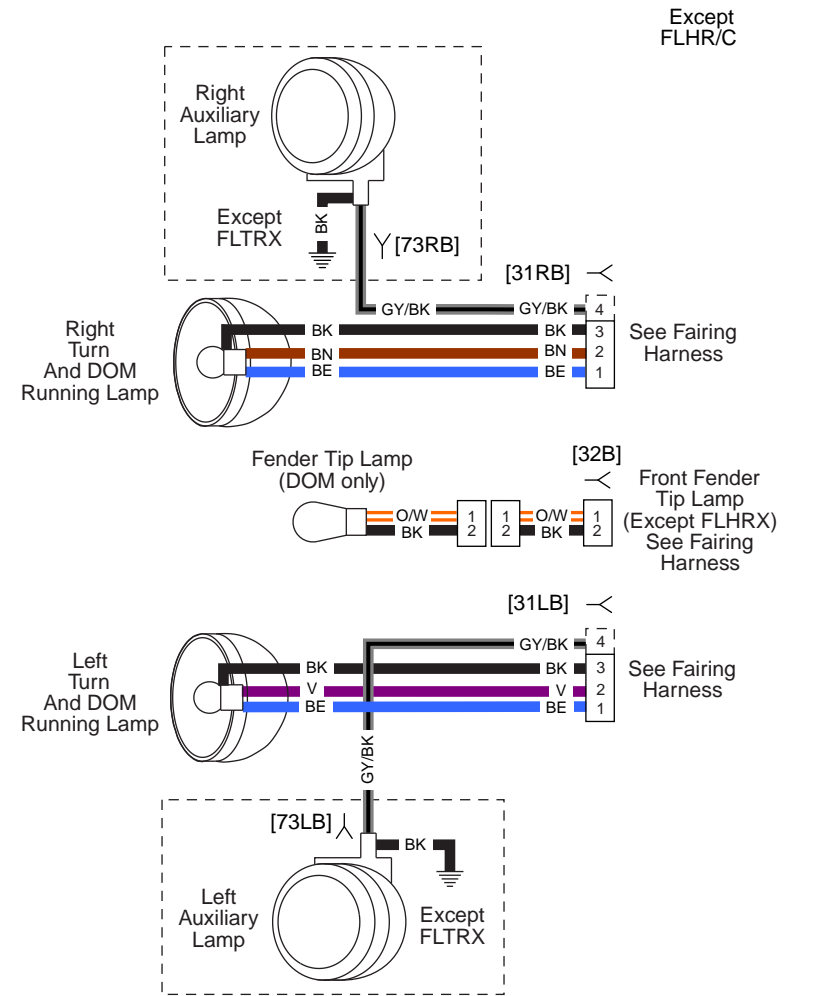
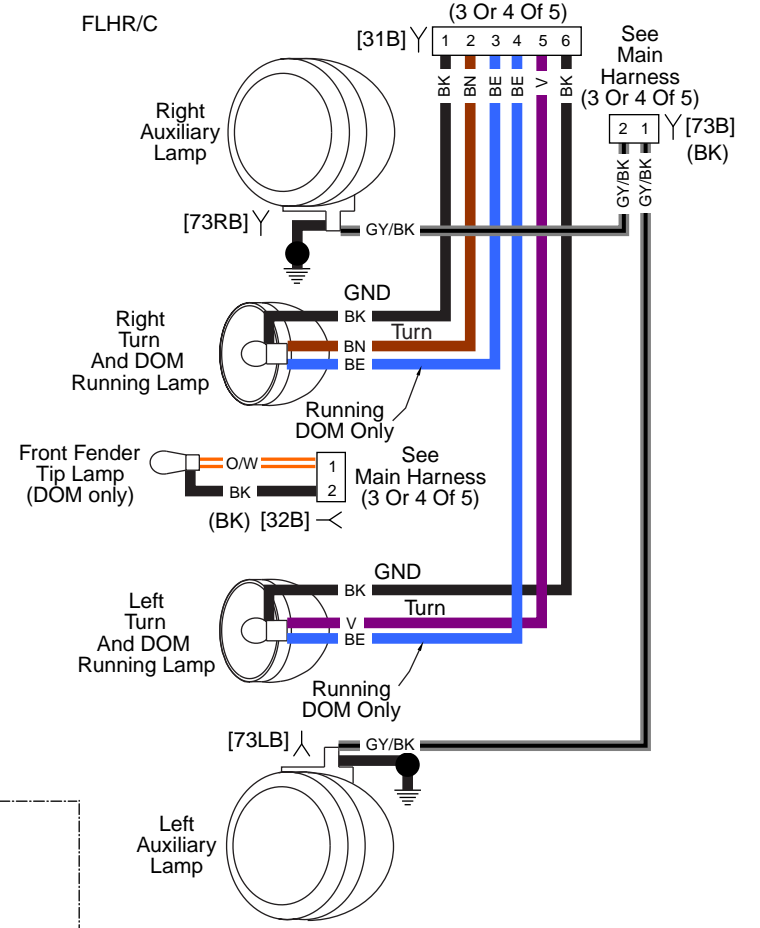
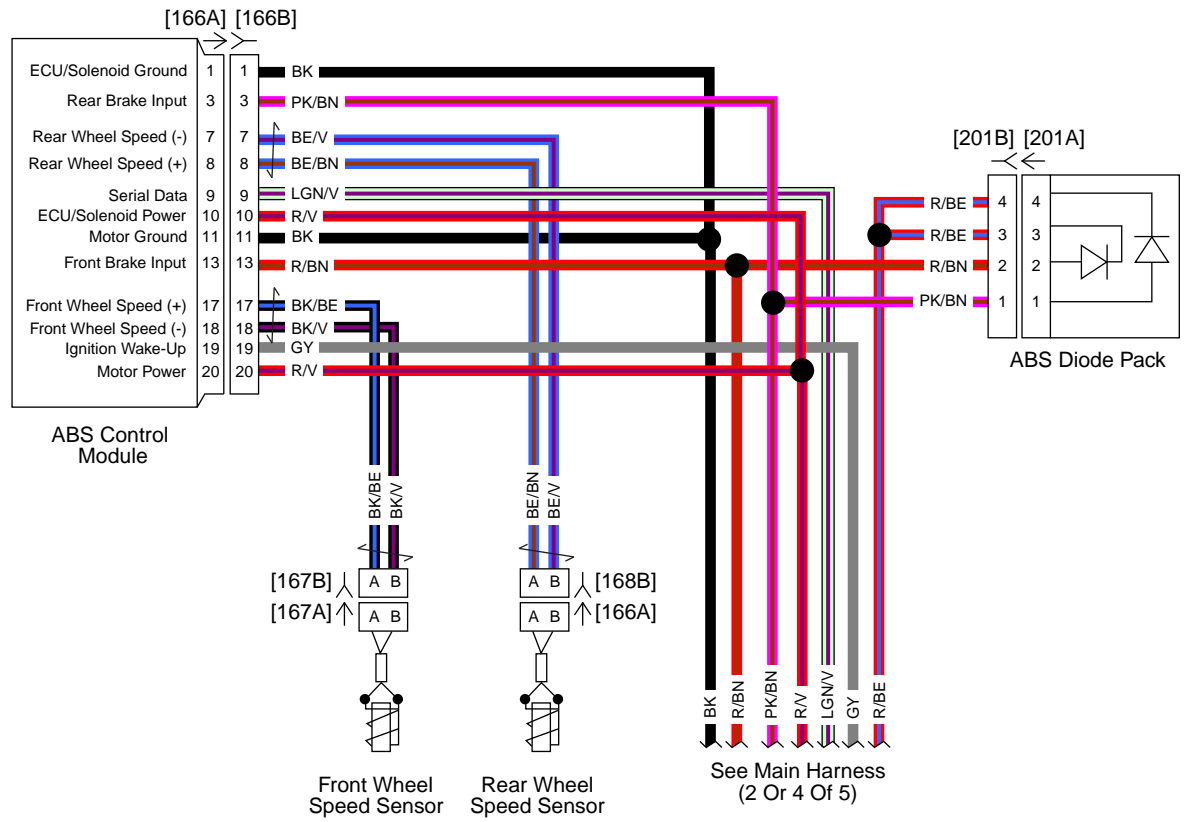


Figure B-23. Front Lighting, Console Harness, ABS: 2012 Touring

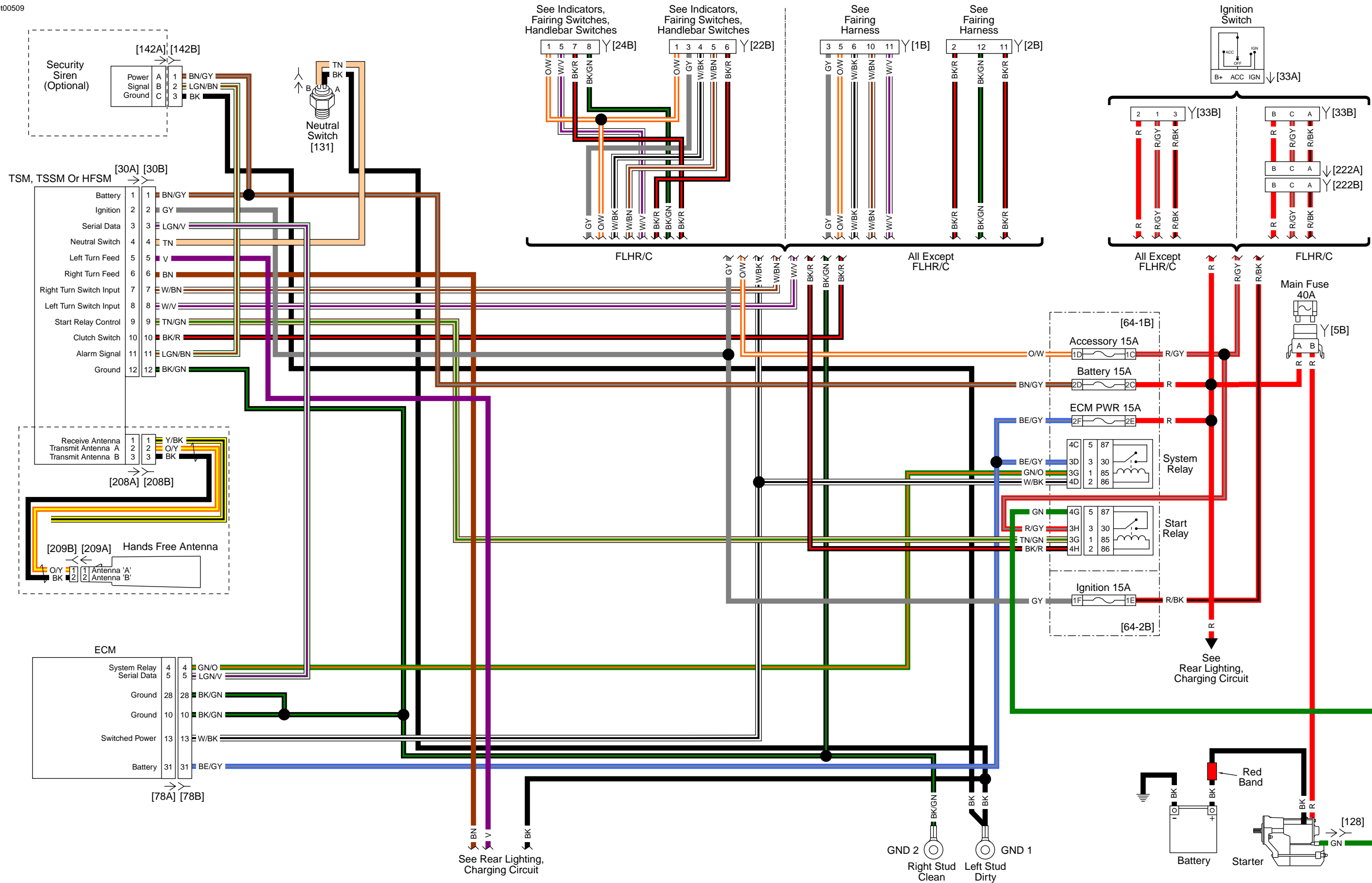


Figure B-24. Security Circuit: 2012 Touring

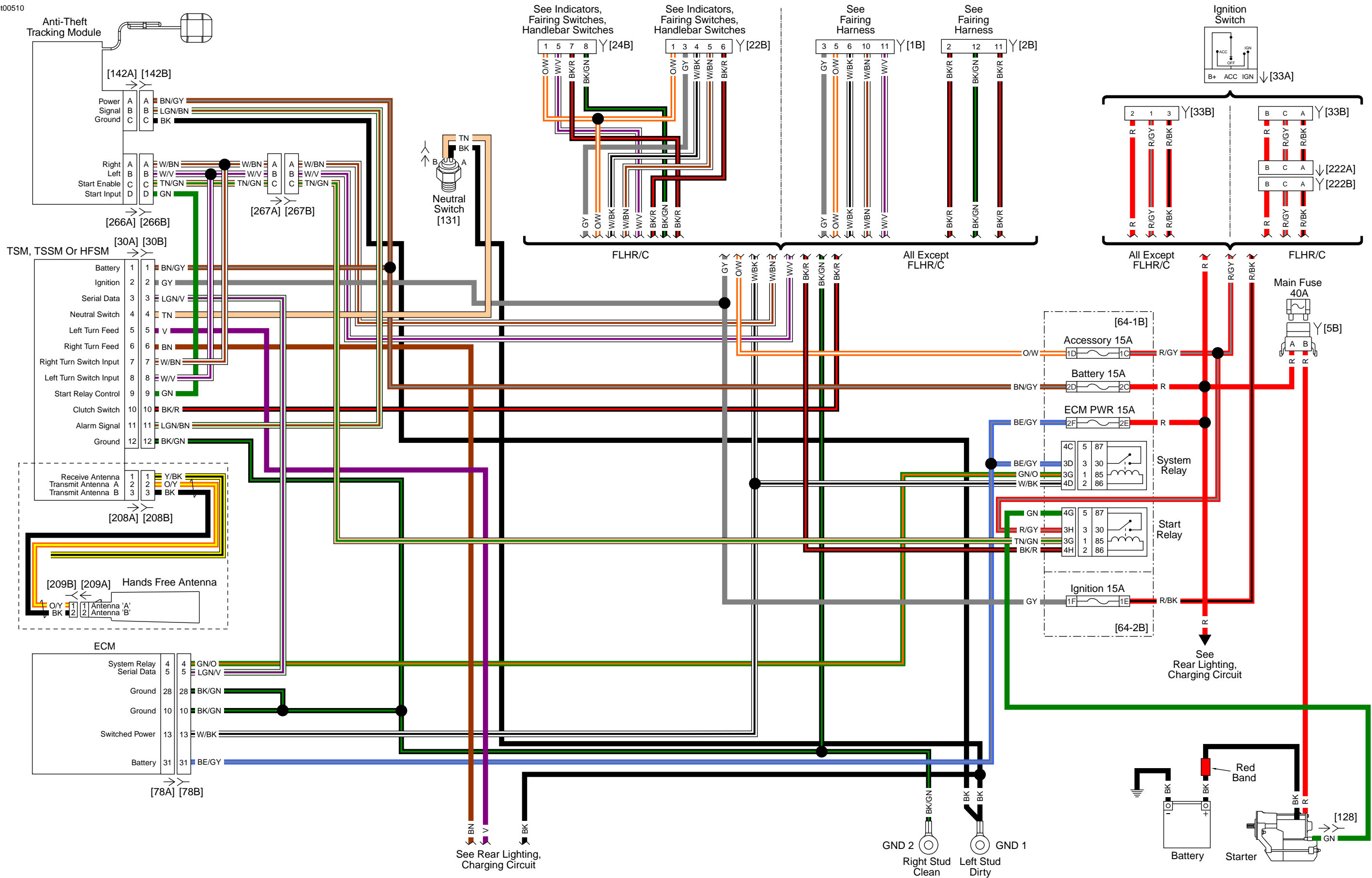


Figure B-25. Security Circuit: 2012 Touring With Anti-Theft Tracking Module

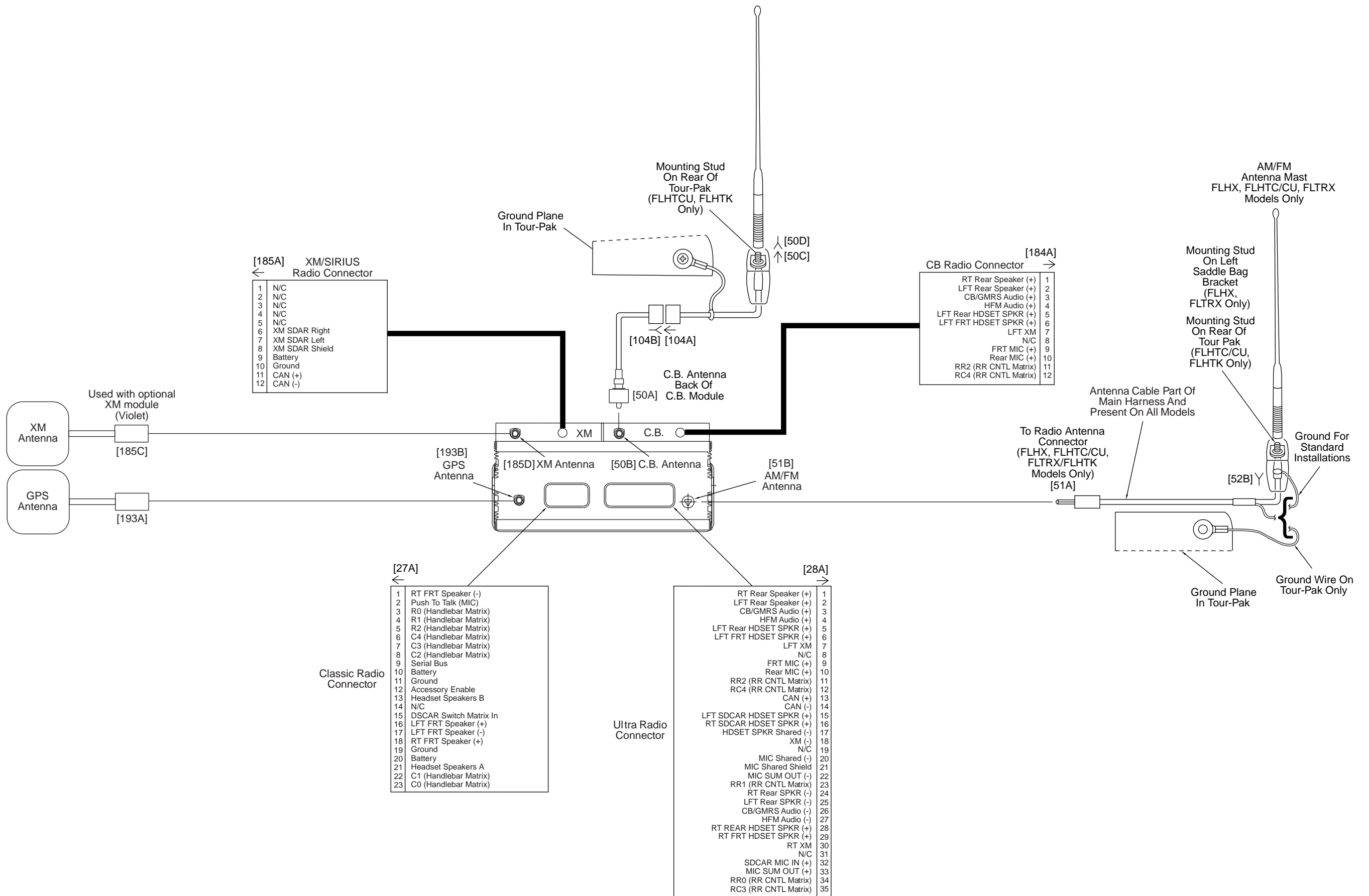


Figure B-26. Ultra Radio RF Interconnect Circuit: 2012 Touring

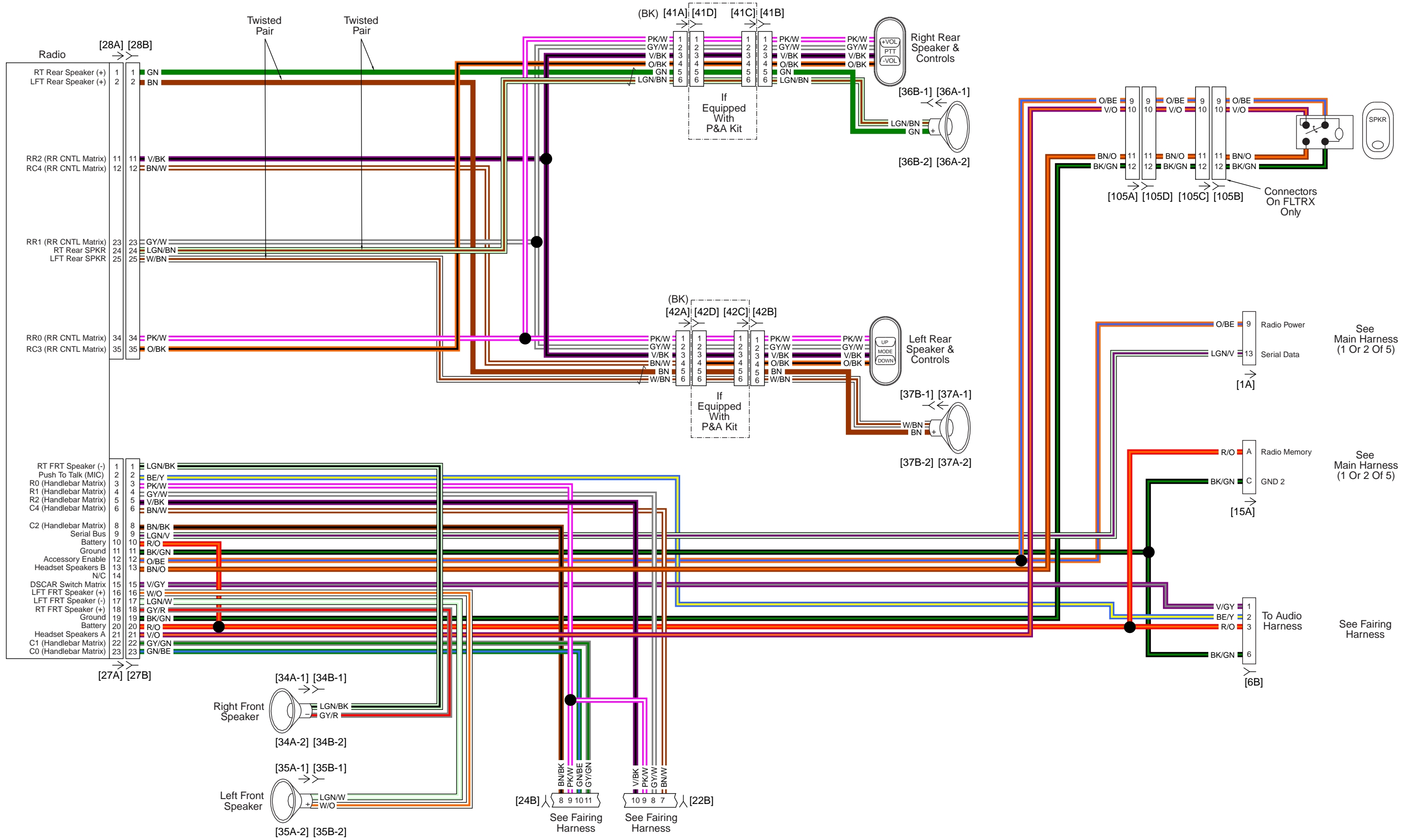


Figure B-27. Classic Radio Circuit: 2012 Touring

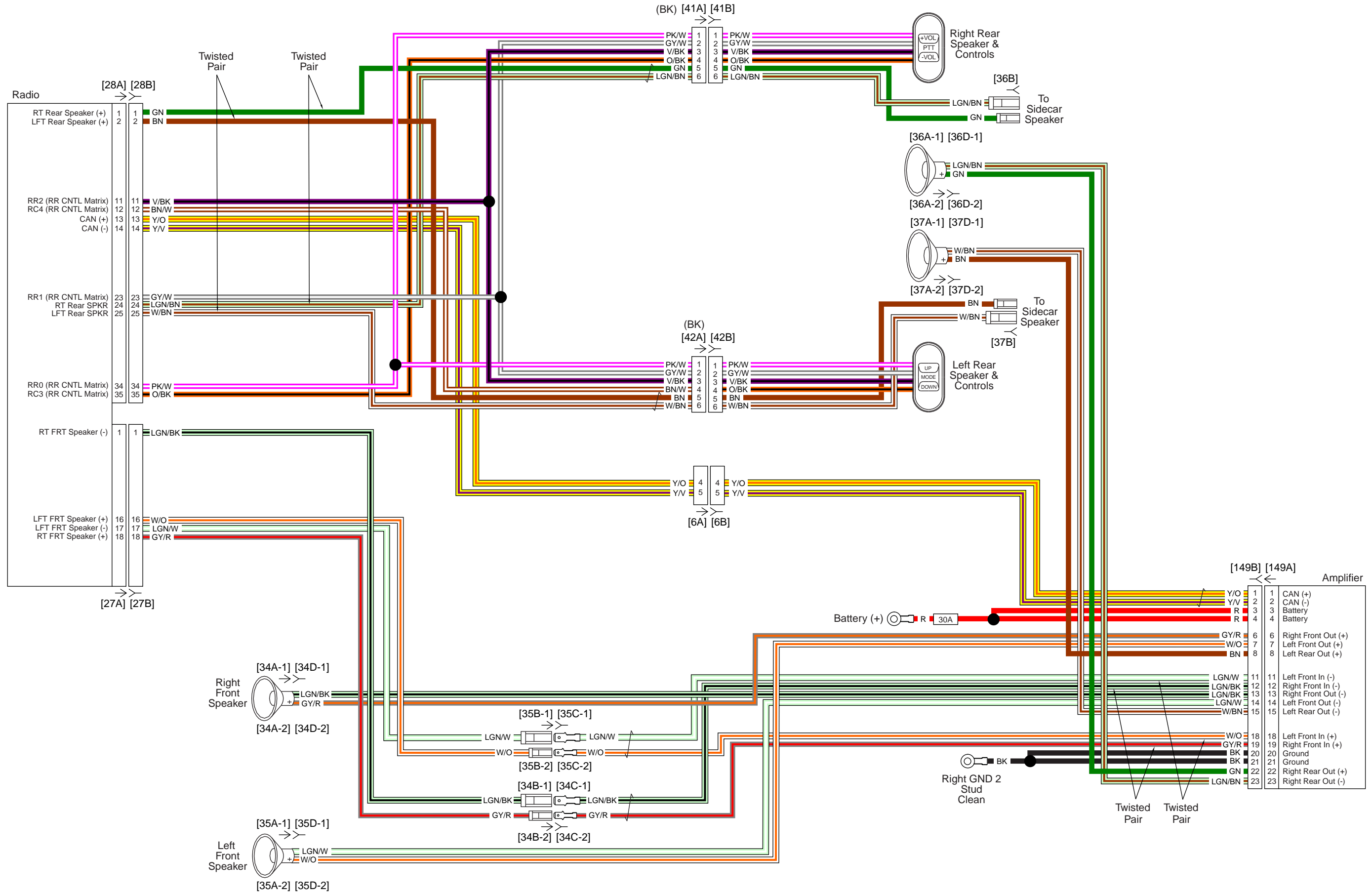


Figure B-28. Ultra Radio Circuit: 2012 Touring

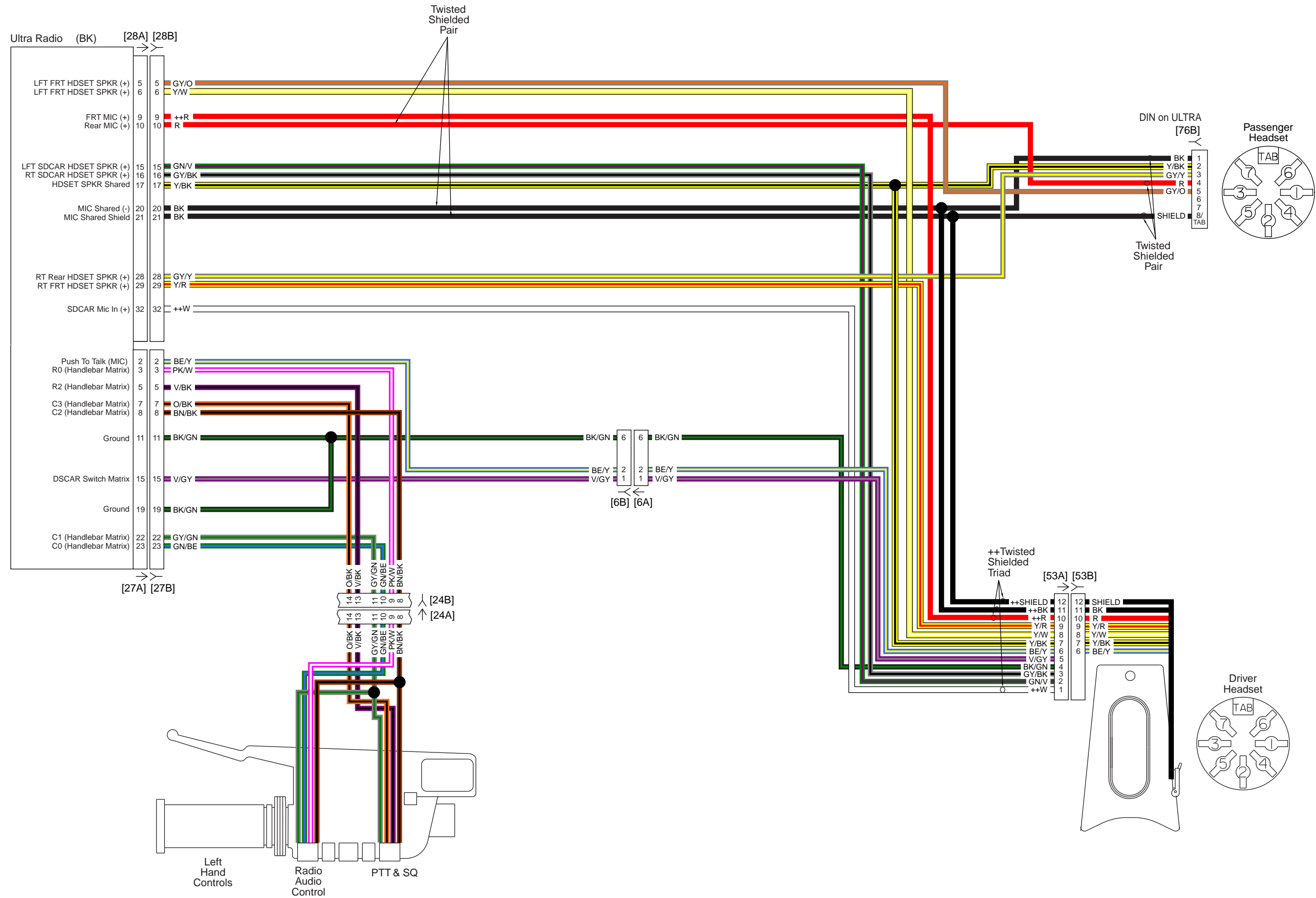


Figure B-29. 2-Place Intercom and Headset Audio: 2012 Touring

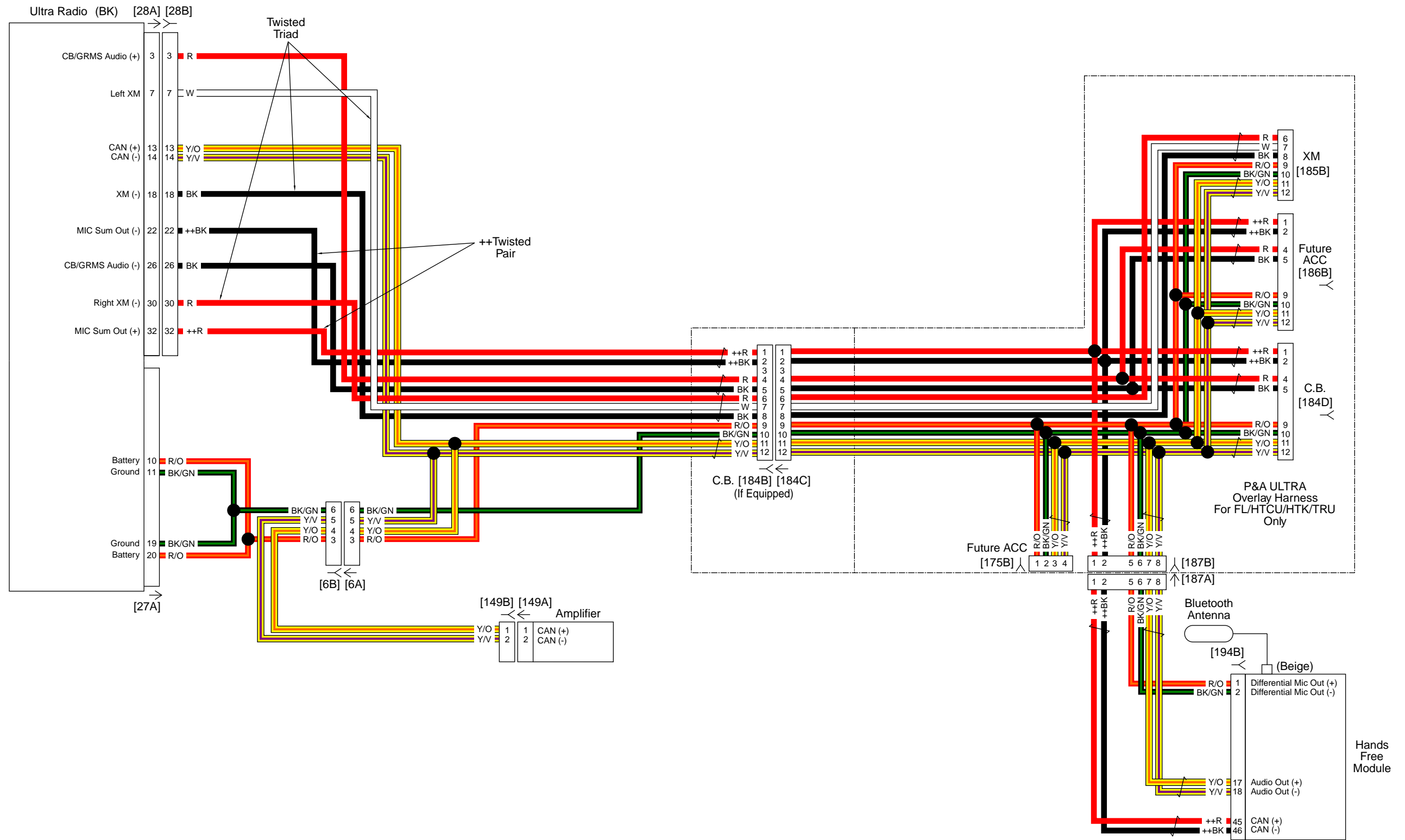


Figure B-30. CAN and Module Audio Inputs to Ultra Radio: 2012 Touring