

Step 1:

Update your CD70 to latest firmware, i.e. 10/10/2007.

Noted that firmware updates require an update disc, this disc is different from language disc. Normally you could request this disc from dealer or borrow from a friend; this is a one time job anyway. Skip this step if you already got 2007 firmware.

To upgrade the firmware, simply put the update CD to "NAVI" slot, and follow the instructions. This step takes about 15 minutes.

Step 2:

Find a Tech2 or vaux-com or similar product to activate your aux-in in the software.

A new "Aux" menu will be appeared just as shown in the picture after a successful activation.

Audio pass is not required for this process.

Use your tech2 or vaux-com or op-com, go to EHU menu, alter Code index from 003 to 013, (Some CD70 in Astra is in 002, in this case change it to 012).

Step 3:

Open your CD70 and solder some components (which are provided by this auction) to the main board, this will require an AVERAGE soldering skill.

CD70 can be easily open with a small flat (to help open the panel), a T9 and a T10 screwdriver.

Please check the schematic, and according to the schematic and placement picture, solder the parts on to the board.

Step 4:

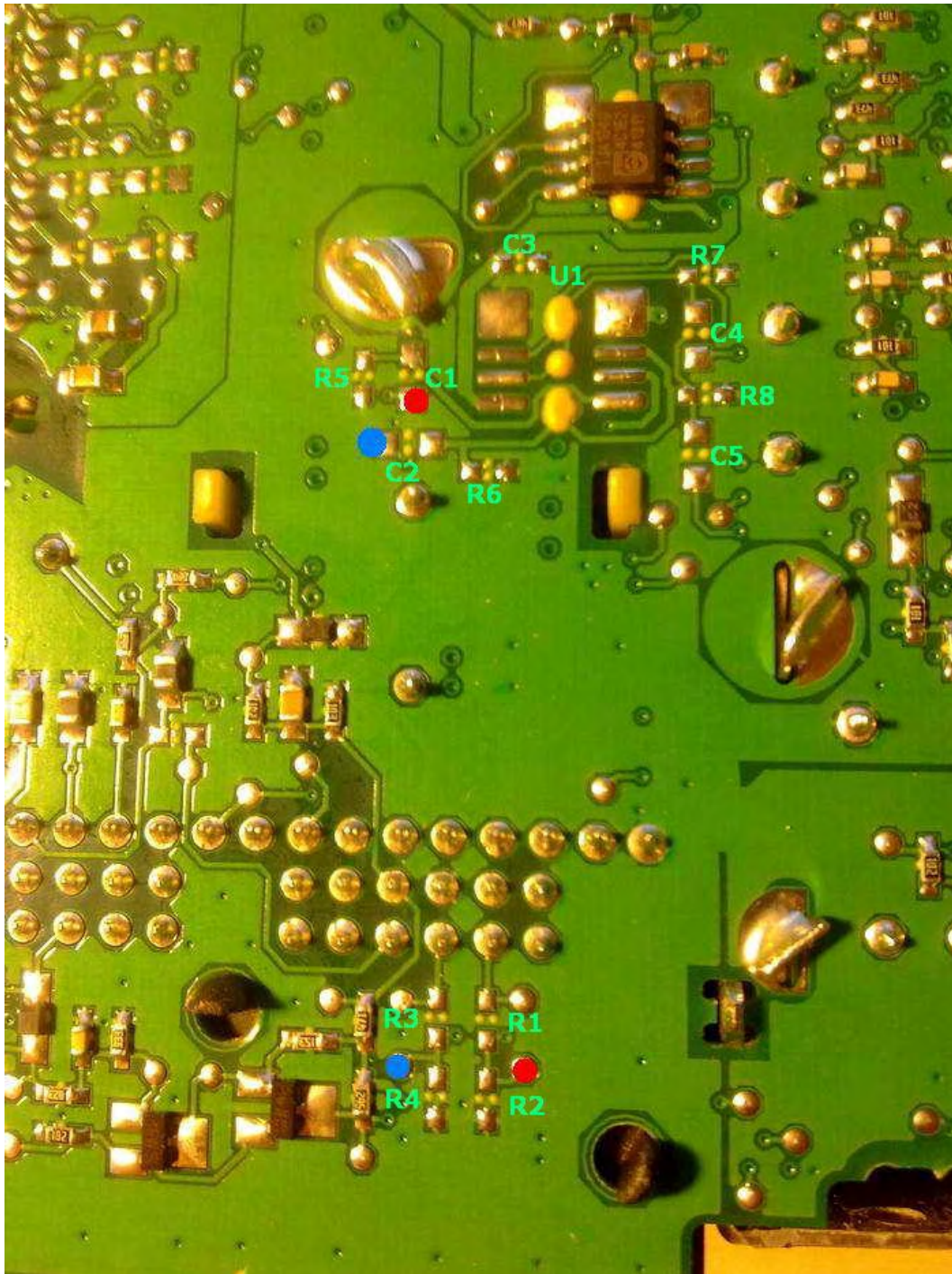
Connect 3 wires to the back socket of unit, and possibly you could buy a 3.5mm stereo socket.

Wires and socket are not included, can be easily sourced. e.g. maplin, ebay. The wires and that socket will be used for audio signal input, e.g. from your iphone.

CD70 AUX IN Modification Guide

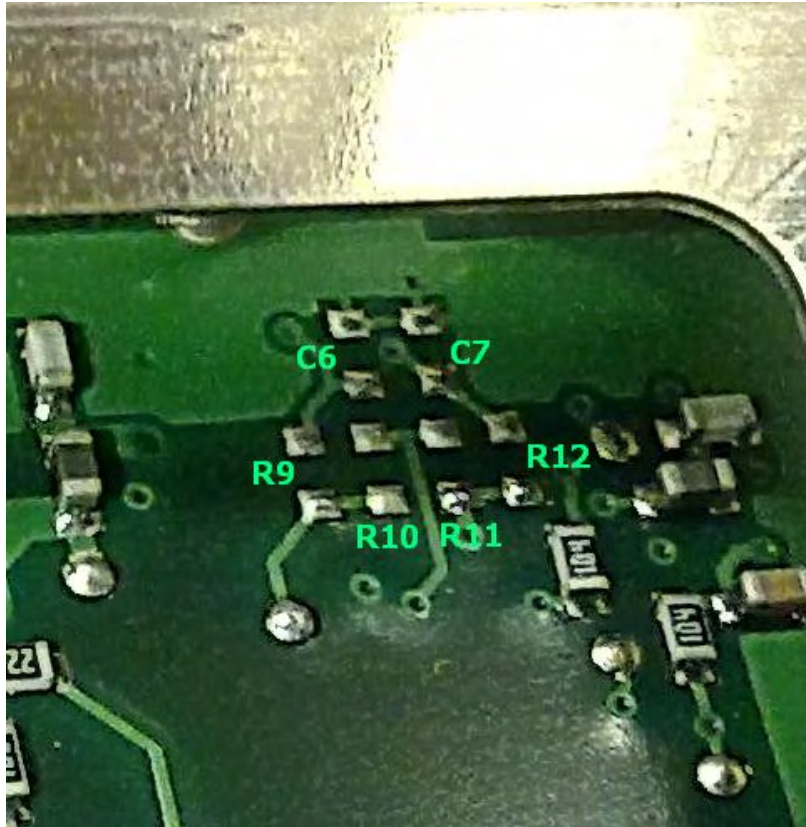
Item	Quantity	Reference	Part
1	4	C1,C2,C4,C5	470n
2	1	C3	100n
3	2	C6,C7	100p
4	2	C8,C9	47u
5	3	R1,R3,R13	4.7k
6	6	R2,R4,R5,R6,R7,R8	10k
7	2	R9,R12	68k
8	2	R10,R11	100k
9	1	U1	TDA8579

CD70 AUX IN Modification Guide

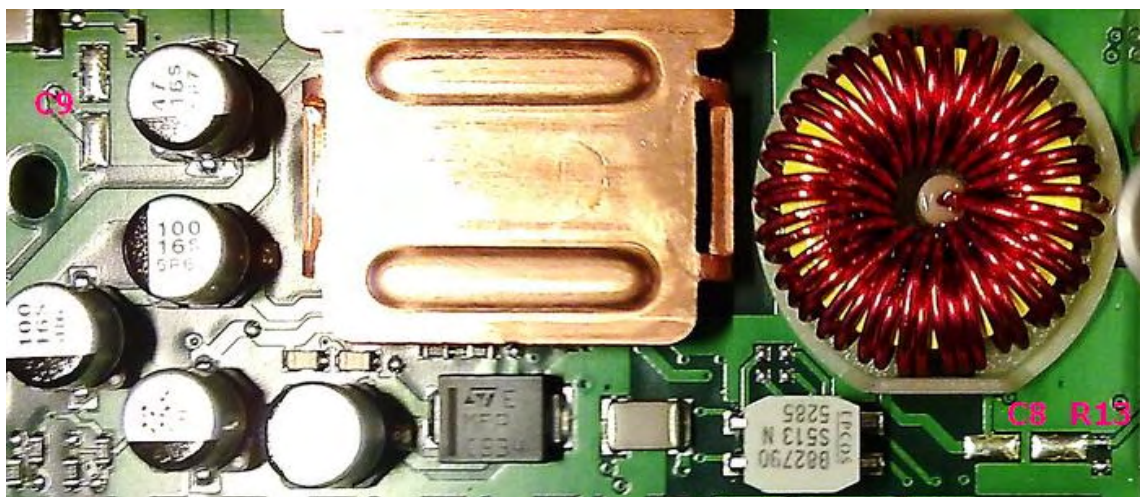


Picture 1: Placement of components-part 1

CD70 AUX IN Modification Guide

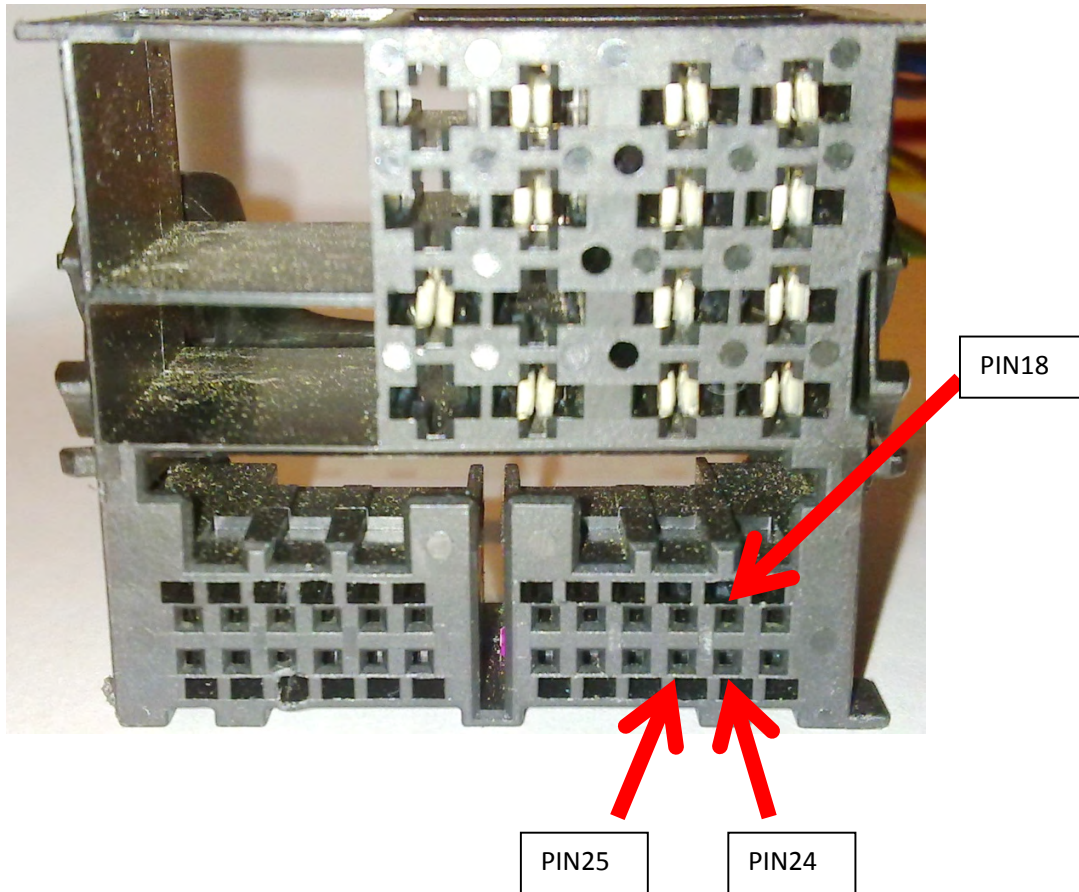


Picture 2: Placement of components-part 2



Picture 3: Placement of components-part 3

CD70 AUX IN Modification Guide



Picture 4: AUX IN input, Connector view

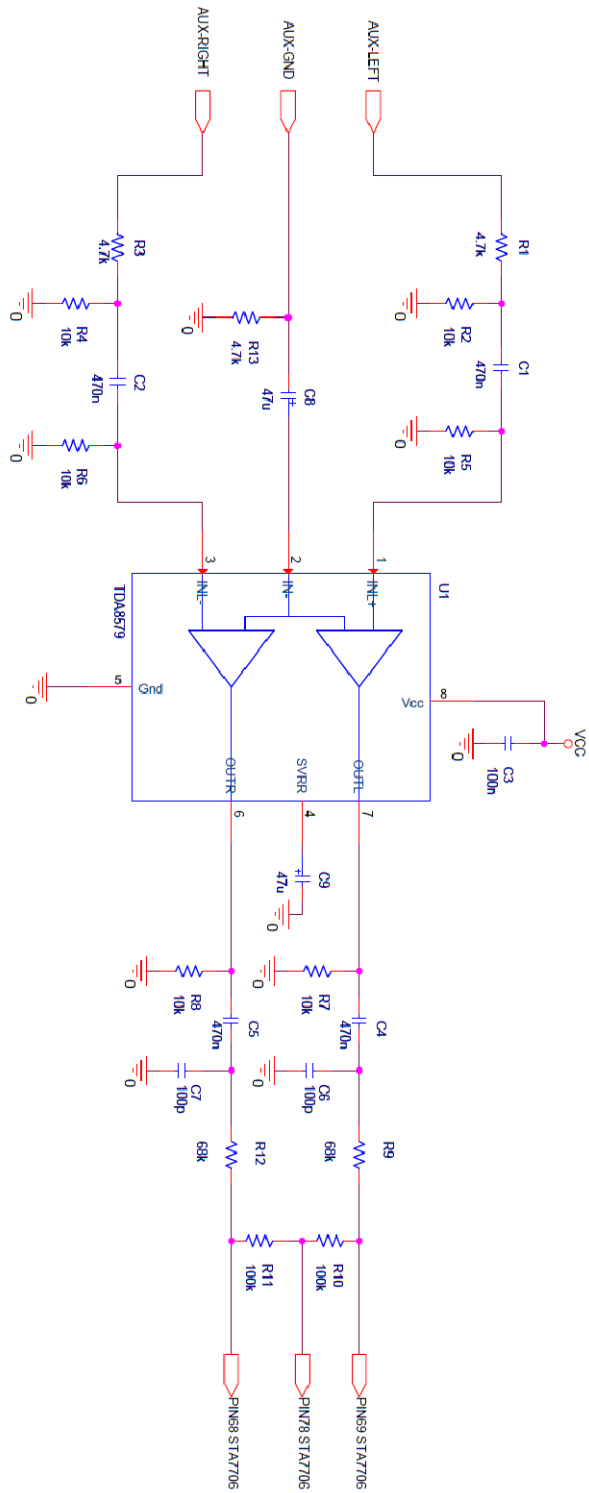
PIN24— AUX Left Input

PIN25—AUX Right Input

PIN18—AUX Signal Ground

Noted: Do not connect PIN18 to vehicle ground. (It's no harm to your CD70 if you accidentally touch PIN18 to vehicle ground)

CD70 AUX IN Modification Guide



Schematic

YOU TAKE YOUR OWN RISKS FOR THIS MODIFICATION! THIS IS ONLY A GUIDE.