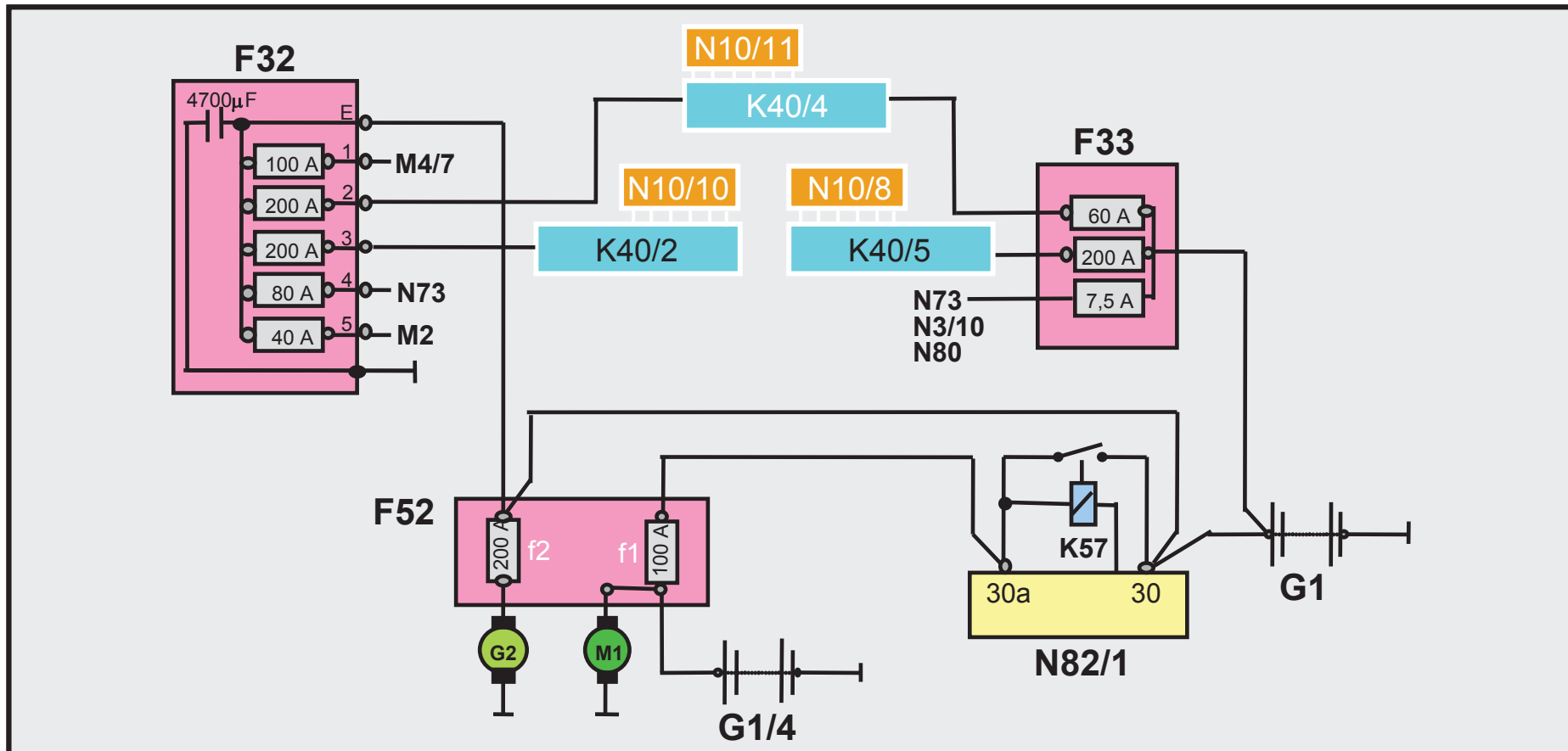


# Prefuse Diagram

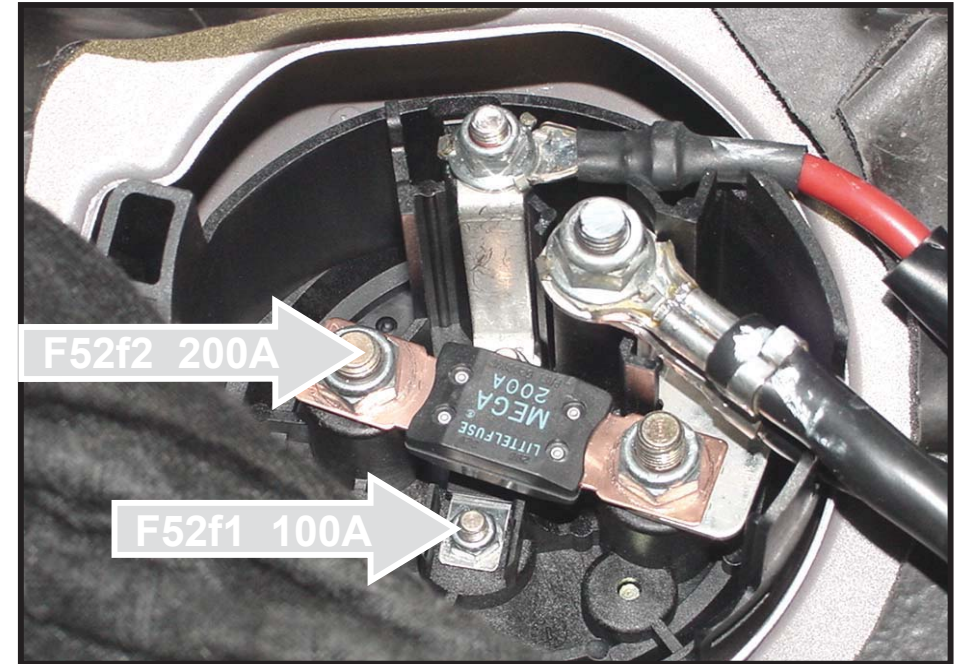


F32	prefuse front	K40/4	fuse and relay module (FR)	N10/8	SAM (rear)
F33	prefuse rear	K40/5	fuse and relay module (rear)	N10/10	SAM (FL)
F52	prefuse block	K57	battery cut-off relay	N10/11	SAM (FR)
G1	systems battery	M1	starter	N73	Electronic ignition switch (EIS)
G1/4	starter battery	M2	blower motor	N80	Steering column module (SCM)
G2	alternator	M4/7	engine fan	N82/1	Vehicle power supply control module
K40/2	fuse and relay module (FL)	N3/10	engine control module (ME)		

# Front Prefuse Block (F52)



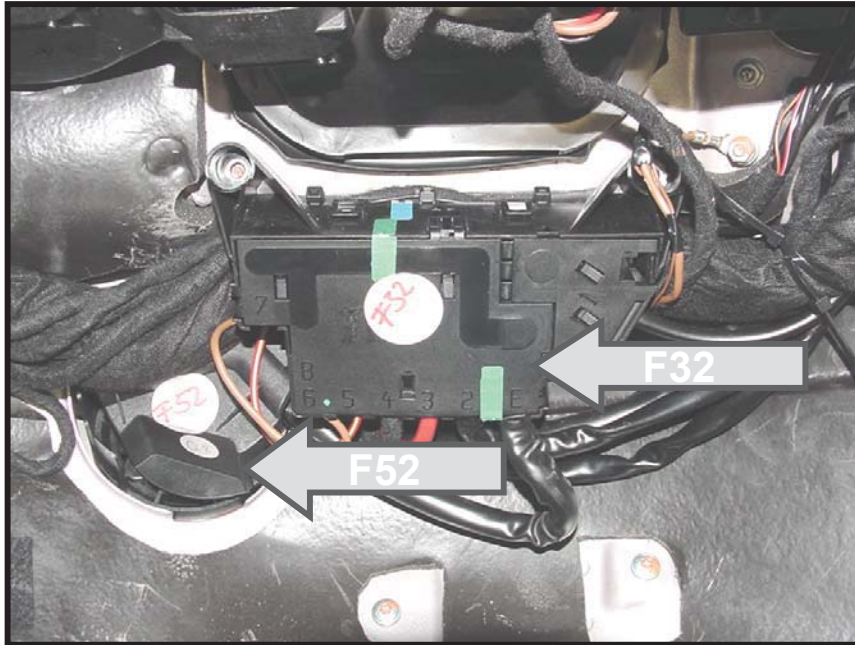
Location: passenger footwell (upper left)



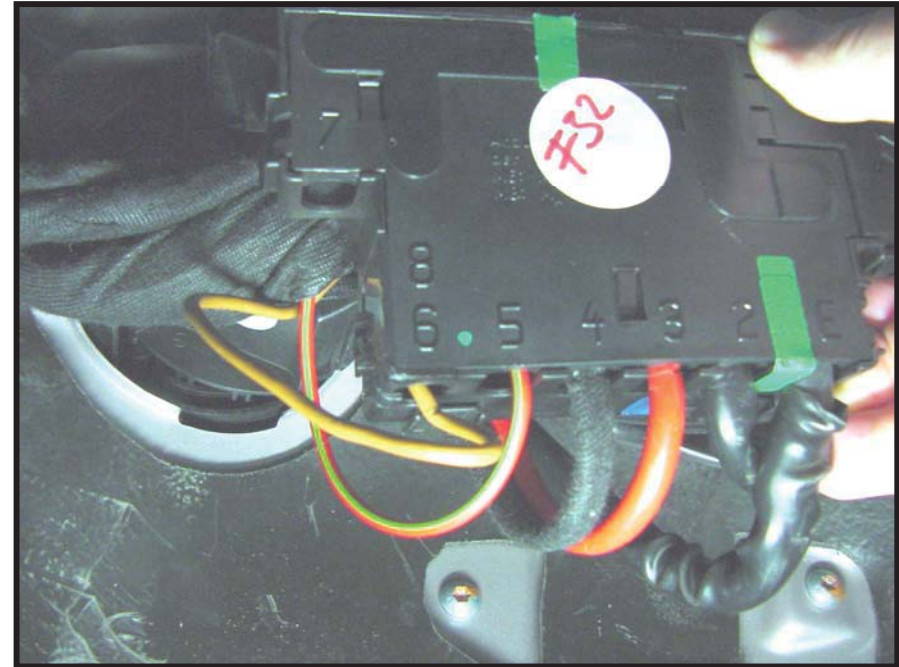
F52f1- Circuit 30a protection for supply wires to K57, K75, and N82/1

F52f2- Alternator (G2) short circuit protection

# Front Prefuse Block (F32)



Location: passenger footwell



Function: over current protection for the following (see next page)

# Front Prefuse Block (F32)

E - Power input

1 - F32f1, 100A to suction fan (M4/7)

2 - F32f2, 200A to SAM FR (K40/4)

3 - F32f3, 200A to SAM FL (K40/2)

4 - F32f4, 80A to EIS (N73)

5 - F32f5, 40A to HVAC blower (M2)

C1 - Capacitor 4700  $\mu$  f (Filter)

